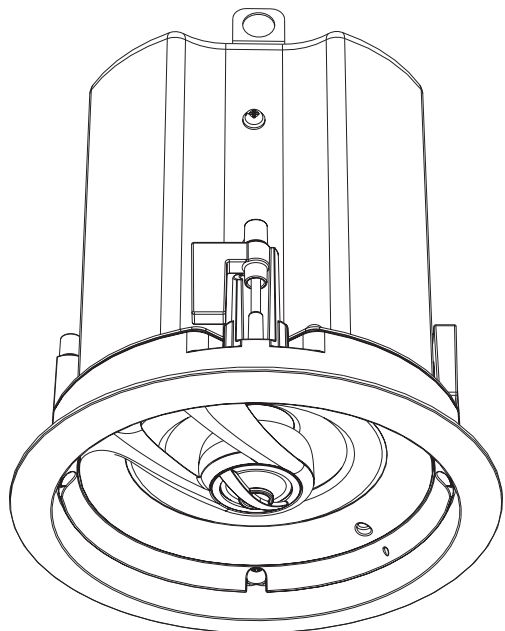




AcousticDesign™ In-ceiling Loudspeakers

AD-CI52T and AD-CI52ST

133 mm (5.25") two-way



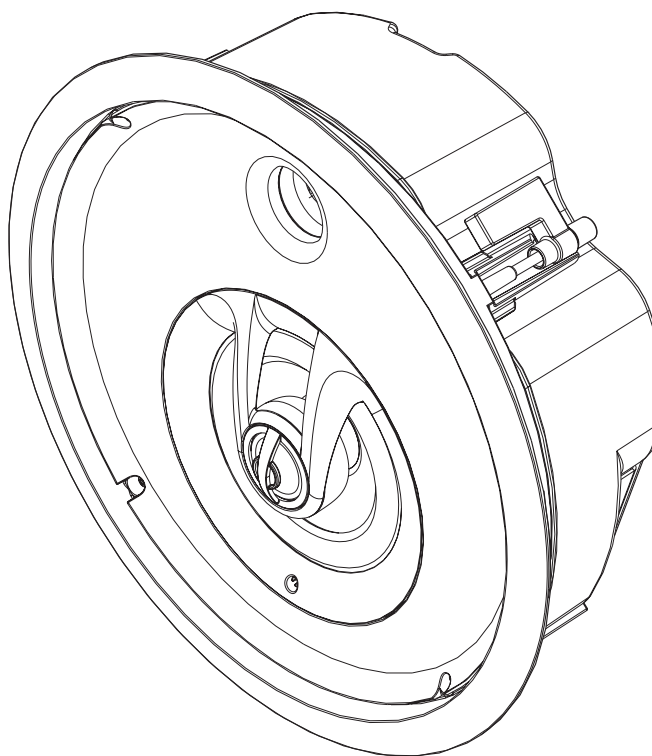
User Manual **EN**

Manual del Usuario **ES**

Manuel de l'utilisateur **FR**

Bedienhandbuch **DE**

用户手册 **CH**



TD-000184-00 rev.B



IMPORTANT SAFETY PRECAUTIONS & EXPLANATION OF SYMBOLS

- 1- Read these instructions.
- 2- Keep these instructions.
- 3- Heed all warnings.
- 4- Follow all instructions.
- 5- Clean only with a dry cloth.
- 6- Install in accordance with QSC Audio Product's instructions and a licensed, professional engineer.
- 7- Do not install near any heat sources such as radiators, heat registers, stoves, or other apparatus (including amplifiers) that produce heat.
- 8- Only use attachments/accessories from QSC Audio Products, Inc.
- 9- Use only with mounts or brackets specified by QSC Audio Products.
- 10- Refer all servicing to qualified personnel. Servicing is required when the apparatus has been damaged in any way.



The lightning flash with arrowhead symbol within an equilateral triangle is intended to alert the user to the presence of uninsulated "dangerous" voltage within the product's enclosure that may be of sufficient magnitude to constitute a risk of electric shock to humans.



The exclamation point within an equilateral triangle is intended to alert the user to the presence of important operating and maintenance (servicing) instructions in this manual.



WARNING! Before placing, installing, rigging, or suspending any speaker product, inspect all hardware, suspension, cabinets, transducers, brackets and associated equipment for damage. Any missing, corroded, deformed or non-load rated component could significantly reduce the strength of the installation, placement, or array. Any such condition severely reduces the safety of the installation and should be immediately corrected. Use only hardware which is rated for the loading conditions of the installation and any possible short-term unexpected overloading. Never exceed the rating of the hardware or equipment. Consult a licensed, professional engineer when any doubt or questions arise regarding a physical equipment installation.

Warranty (USA only; other countries, see your dealer or distributor)

Disclaimer

QSC Audio Products, Inc. is not liable for any damage to amplifiers, or any other equipment that is caused by negligence or improper installation and/or use of this loudspeaker product.

QSC Audio Products 3 Year Limited Warranty

QSC Audio Products, Inc. ("QSC") guarantees its products to be free from defective material and / or workmanship for a period of three (3) years from date of sale, and will replace defective parts and repair malfunctioning products under this warranty when the defect occurs under normal installation and use - provided the unit is returned to our factory or one of our authorized service stations via pre-paid transportation with a copy of proof of purchase (i.e., sales receipt). This warranty provides that the examination of the return product must indicate, in our judgment, a manufacturing defect. This warranty does not extend to any product which has been subjected to misuse, neglect, accident, improper installation, or where the date code has been removed or defaced. QSC shall not be liable for incidental and/or consequential damages. This warranty gives you specific legal rights. This limited warranty is freely transferable during the term of the warranty period.

Customer may have additional rights, which vary from state to state.

In the event that this product was manufactured for export and sale outside of the United States or its territories, then this limited warranty shall not apply. Removal of the serial number on this product, or purchase of this product from an unauthorized dealer, will void this limited warranty.

Periodically, this warranty is updated. To obtain the most recent version of QSC's warranty statement, please visit www.qscaudio.com.

Contact us at 800-854-4079 or visit our web site at www.qscaudio.com.

© Copyright 2005, QSC Audio Products, Inc.

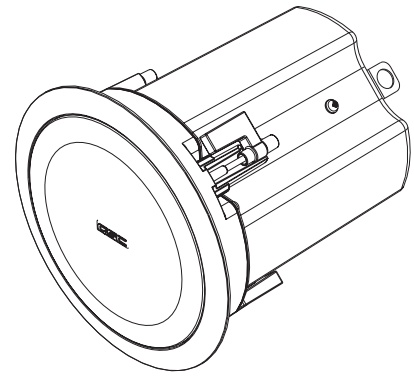
QSC® is a registered trademark of QSC Audio Products, Inc.

"QSC" and the QSC logo are registered with the U.S. Patent and Trademark Office
All trademarks are the property of their respective owners.

Introduction

Congratulations and thank you for your ceiling loudspeaker purchase. The AD-CI52T and AD-CI52ST models offer excellent acoustic performance in an easy-to-install and attractive package. Please review these instructions carefully and follow the recommendations. Consult a licensed installation professional if you are uncertain about any mounting issues.

Both models feature a 5.25" (133mm) low-frequency (LF) driver and a 1" (25mm) dome high-frequency (HF) driver. The AD-CI52ST features a shallow enclosure which is larger in diameter and ported. All models are equipped with an audio transformer suitable for 70V and 100V distributed systems, as well as a tap-selector switch which can bypass the transformer for 8 ohm applications.



What's Included

Your ceiling loudspeaker box contains:

- the loudspeaker cabinet
- the protective grill assembly
- two support brackets for suspended ceiling installations
- C-ring bracket for suspended ceilings and other ceiling reinforcing applications
- Self-tapping screws (M4.2 X 1.4 X 10mm) for securing the C-ring-to-support brackets
- grill clip used for clipping the plastic grill retaining lines together
- two terminal block connectors for connecting signal and daisy-chaining

EN

Installation Options

The AcousticDesign in-ceiling loudspeakers can be mounted in suspended ceilings, as well as non-suspended types. We recommend an installation professional be consulted for safety assurance, quality installation, and optimum acoustic performance.

For suspended ceiling applications, the suspended ceiling support brackets must be used with the C-ring bracket. The suspended ceiling support brackets are designed to accommodate 24" or 600 mm t-channel grid spacing. The brackets do not attach to the t-channel; the angled "V" bend sits over the t-channel and will catch the t-channel in the event of a tile failure or fall-out.

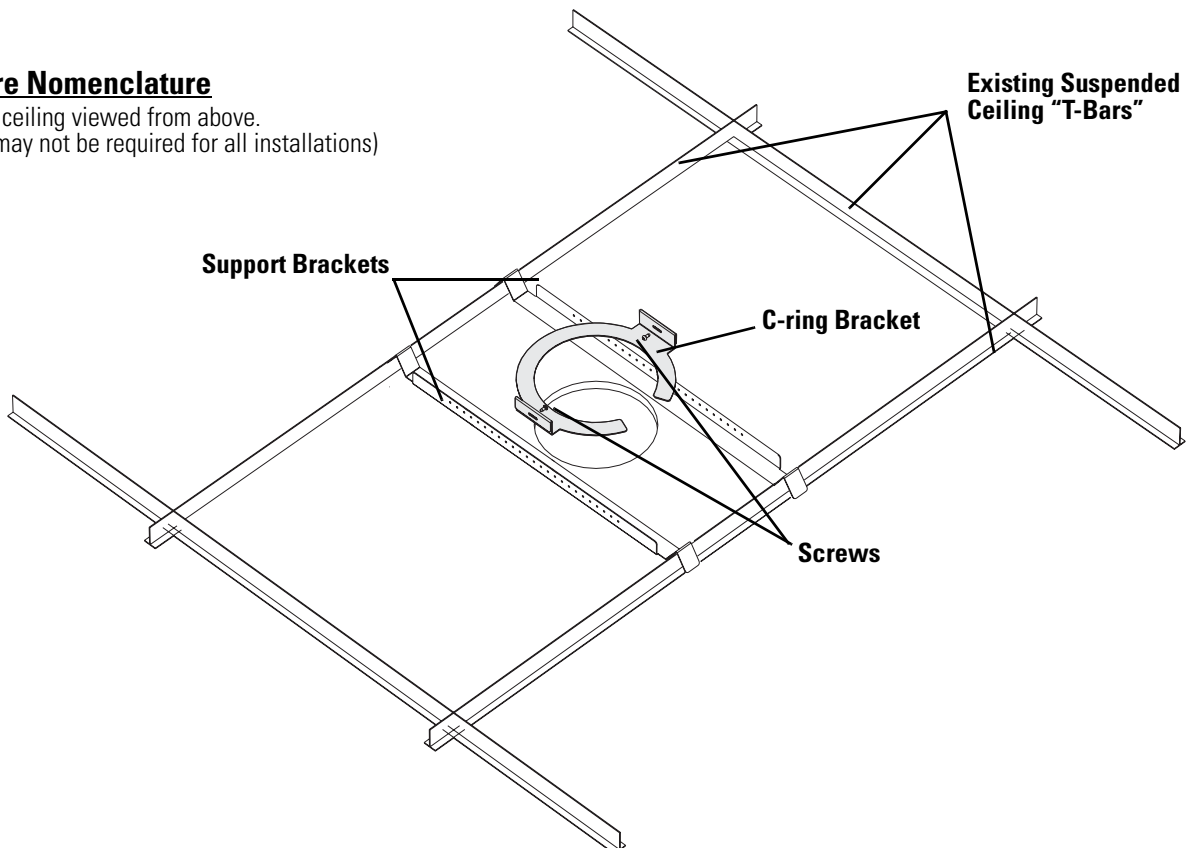
For other ceiling types, the C-ring bracket can be used to reinforce the mounting surface. If the ceiling is suitably strong, the loudspeaker can be secured in the cutout hole without additional reinforcement.

Audio connections are made using terminal block type connectors. Two sets of terminals are provided; one set for the signal connection and another for pass-through (or daisy chain) connection to other loudspeakers on the same distribution circuit.

Two safety features are provided, an enclosure-retaining safety tab and a grill-retaining safety tether. The enclosure tab is a metal tab on top of the enclosure suitable for securing the loudspeaker to building framing; this provides maximum safety in the event the ceiling structure fails for any reason. The grill's safety tether prevents the grill from falling in the event it should vibrate loose.

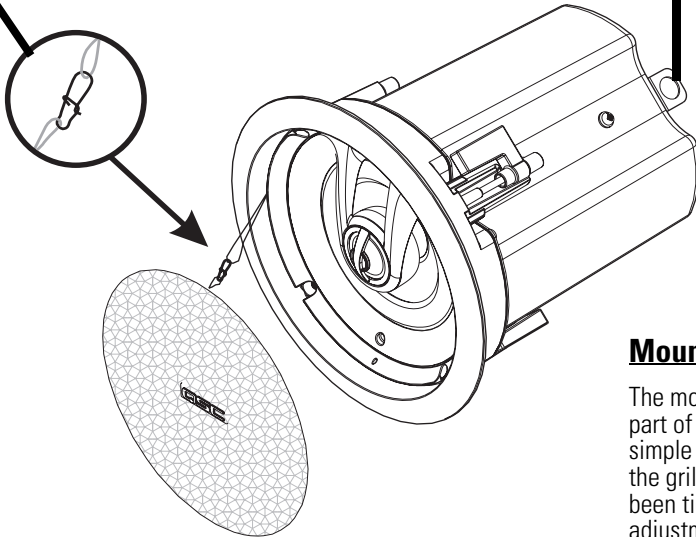
Hardware Nomenclature

Suspended ceiling viewed from above.
(hardware may not be required for all installations)



Grill Safety Clip

The cabinet and the grill both have a small loop of plastic line. The grill's loop has a clip attached. Using the grill clip, attach the grill to the cabinet's loop. This will help prevent the grill from falling should it become detached.



Use the Secondary Support Tab!

Loudspeakers can potentially generate substantial vibration. In addition to ensuring all hardware is properly installed and secured, you must use the secondary support tab on the enclosure to secure the loudspeaker to an appropriate structural support. This will minimize the chance of the loudspeaker falling from the ceiling in the event the primary mount fails. Any cable or wire used as a secondary support line must be strong enough to support several times the weight of the loudspeaker. Do not use rope, string, twine or other textile-based line in the secondary support system as it is easily cut or burned. The secondary support attachment point and any fasteners used on the building's structure must also be strong enough to support several times the weight of the loudspeaker.

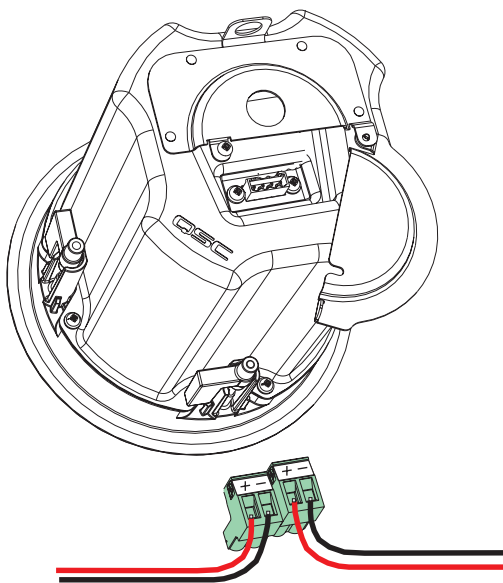
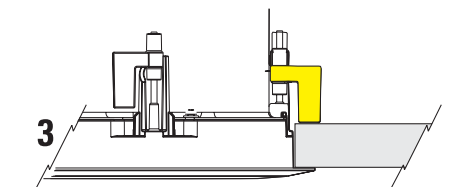
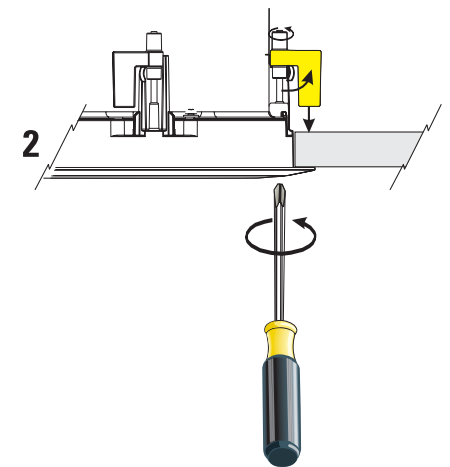
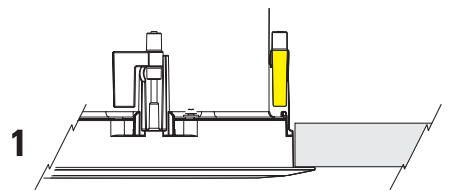
Mounting Clamps

The mounting clamps are part of the assembly for simple use. Do not install the grill until clamps have been tightened and any adjustments made.

Before inserting the cabinet into the mounting cutout, make sure the clamps are folded in against the cabinet, see 1, right.

After the cabinet is installed into the mounting cutout, tighten each clamp's screw using a #2 Phillips screwdriver, see 2, right.

The clamp rotates 90° and is then pulled tight by the screw, see 3, right.



Connections

Connect signal wires to terminal block connector, note polarity. Connect next loudspeaker to remaining connector. Connectors are wired in parallel, internal connection is rated for 400W max.

Other Recommendations and Important Information

- Grill removal: The grill can be removed by carefully prying around its outer edge or inserting a small, metal pin or hook into the grill's openings and pulling evenly around its perimeter.
- If rattles or buzzing is heard during operation, it may be necessary to put vibration dampening material between the support rails and the ceiling tiles and/or t-channels.
- The support rails have holes along their usable length to attach the C-ring bracket. This allows for the cutout to be placed in many positions along the ceiling tile width.

Installation Procedure

1- Using the included C-ring or the dimensions provided, trace a cutout pattern onto the ceiling surface.

2- Cut the mounting hole. Use a sharp tool to avoid stressing or cracking the mounting surface.

3- Pull the wires through the hole.

4- Pass the two suspended ceiling support brackets through the hole and place as shown in the illustration. Make sure the part of the bracket that is flat against the tile is toward the hole. If installing in a non-suspended ceiling application, these brackets are not required.

5- Pass the C-ring bracket through the hole. Slide the cutout slot into the hole first, and then rotate the bracket so it passes through the hole. Be sure the wires pass through the ring.

6- Position the support brackets, and secure the C-ring bracket to each of the support brackets using the screws provided. If installing in a non-suspended ceiling application, skip this step.

7- Loosen the connection cover plate retaining screw and swing the cover open. Install an appropriate non-metallic sheathed cable connector into the hole provided on the cover plate.

8- Temporarily support the enclosure so the wires may be passed through the enclosure top with enough slack to prepare and terminate the wires.

9- Locate the terminal block connectors included with the loudspeaker. Loosen the wire retaining screws fully.

10- Strip the wire ends approximately 5 mm (0.2") and insert each wire into its proper connector position. Tighten the wire retaining screws fully.

11- Rotate the connection cover plate closed, making sure not to stress the connections or pinch the wires. Tighten the cover plate's retaining screw.

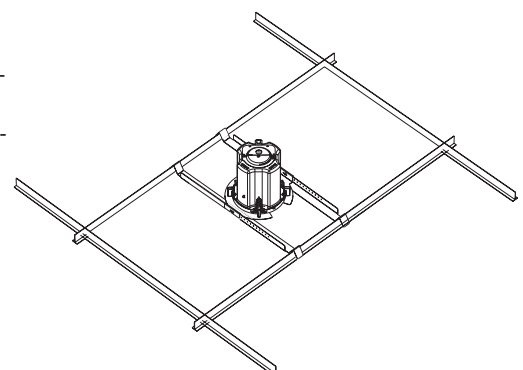
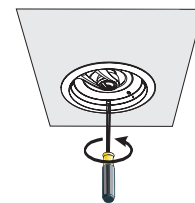
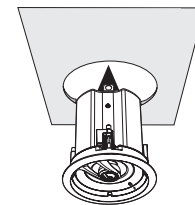
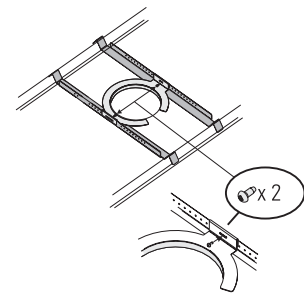
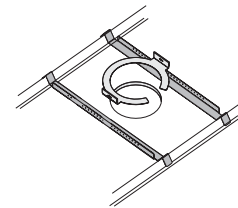
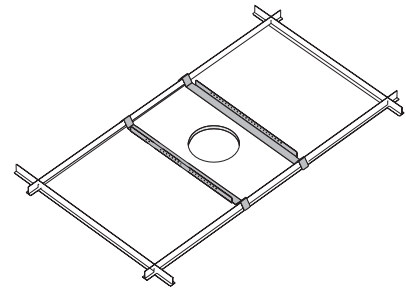
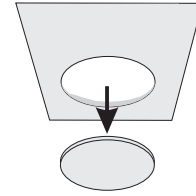
12- Adjust the wiring at the entry point, if necessary, and tighten the clamping screw(s) on the non-metallic sheathed cable connector. This prevents wire stress and strain from pulling the connections/connectors loose.

13- Attach a safety cable (secondary support cable) from the enclosure's attachment tab to an appropriate support point. This cable and the attachment points must be strong enough to support many times the weight of the loudspeaker in the event the primary mounting system fails.

14- Insert the enclosure into the ceiling cutout, making sure any brackets used remain properly positioned. Tighten the loudspeaker's mounting clamp screws.

15- Set the tap selector switch to the desired position. 70V systems, all four positions may be used. Do not use highest tap setting with 100V systems. 8 ohm systems, set selector to 8 ohm position.

16- Make sure all tests and adjustments are complete before installing the grills. Locate the loudspeaker's grill. The cabinet and the grill both have a small loop of plastic line. Using the clip on the grill's line, attach the grill's safety loop to the cabinet's loop. Carefully work the grill into its retaining slot and press firmly into place. Work the grill in slowly and evenly to avoid damage. Make sure all tests and adjustments are complete before installing the grills.



Specifications

	<u>AD-CI52T</u>	<u>AD-CI52ST</u>
Frequency Response¹:	85- 20k Hz (-6 dB), 65- 20k Hz (-10 dB)	63- 20k Hz (-6 dB), 53- 20k Hz (-10 dB)
Maximum Output²: (calculated)	102 dB SPL continuous rms output 108 dB SPL peak output	103.5 dB SPL continuous rms output 109.5 dB SPL peak output
Transducers:	LF: 133 mm (5.25"), 25 mm (1") voice coil; weatherproof, low-distortion fiberglass cone. HF: 25mm (1") titanium dome, neodymium magnet.	LF: 133 mm (5.25"), 25mm (1") voice coil; weatherproof, low-distortion fiberglass cone. HF: 25mm (1") titanium dome, neodymium magnet.
Nominal Coverage:	90° conical (average 1 kHz - 4 kHz)	100° conical (average 1 kHz - 4 kHz)
Impedance (ohms):	8.0 nom./ 6.4 min. @ 15 kHz.	8.0 nom./ 6.0 min. @ 13 kHz.
Power Rating³:		
rms (IEC 100 hrs):	40 watts rms (30 watts, AD-C52T)	40 watts rms (30 watts, AD-C52ST)
recommended amp power:	80 watts rms, maximum	80 watts rms, maximum
Sensitivity:	86.0 dB, 1 watt, 1 meter, flush mounted (2 pi)	87.5 dB, 1 watt, 1 meter, flush mounted (2 pi)
Bass Loading:	sealed	ported, tuned to 75 Hz.
Optional Processing:	65 to 125 Hz. high pass >12 dB/octave	55 to 125 Hz. high pass >12 dB/octave
Dimensions:	see drawings	see drawings
Net Weight:	AD-CI52T: 3.4 kg (7.5 lb.)	AD-CI52ST: 3.9 kg (8.5 lb.)
Enclosure:	Corrosion-resistant plated steel enclosure with injection-molded plastic baffle. Press on metal grill.	
Mounting System:	Captive, integral mounting clamps. Insert enclosure into cutout, and tighten. Suspended ceiling C-ring and support bars included.	
Connectors:	Terminal block connector inputs and terminal block "through" connectors (rated for 400W max).	
Controls:	Transformer "tap" selector/ bypass (8 ohm) switch, settings: 3.75, 7.5, 15, and 30 watts (7.5, 15, 30 watts for 100V) and 8 ohms. 70/100V Insertion loss: 0.8 dB, Averaged over 50Hz - 20kHz bandwidth (30W tap). Transformer Distortion: less than .01% THD above 100Hz, 0.2% @ 50Hz (30W tap). Bandwidth: 40 - 20k Hz (-1dB, all taps).	
Agency Listings:	CE, UL 1480 (commercial/professional use, outdoor damp), UL 2043 (air handling spaces).	

Specification Notes:

- 1- All frequency ranges specified refer to measured half-space response (2 pi).
- 2- Calculated maximum peak SPL at 1 m, half-space, speaker operating at rated rms power pink noise input, 50 Hz to 20 kHz.
- 3- Maximum input power tested in accordance with IEC recommendations; 50 Hz to 20 kHz band limiting, 6 dB signal crest factor.

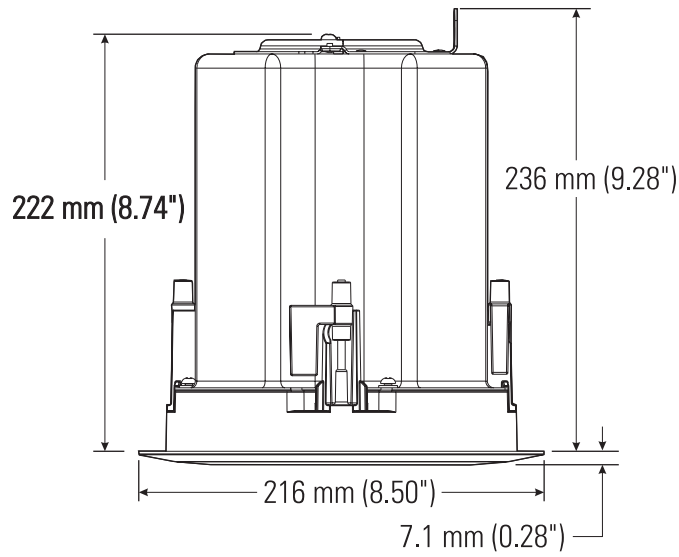
Specifications are subject to change without notice.

For detailed information, visit QSC's web site at <http://www.qscaudio.com> or call us at 1-800-854-4079 (toll-free USA only)

AD-CI52T Dimensions

CUTOUT HOLE DIAMETER = 191 mm (7.50") USE C-RING FOR TEMPLATE

MATERIAL THICKNESS RANGE FOR CLAMP MOUNTING = 5.6 - 19.0 mm (0.22" - 0.75")

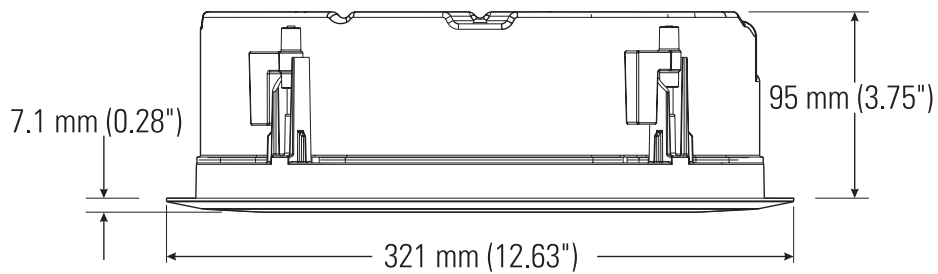


EN

AD-CI52ST Dimensions

HOLE CUTOUT DIAMETER = 297 mm (11.70") USE C-RING FOR TEMPLATE

MATERIAL THICKNESS RANGE FOR CLAMP MOUNTING = 5.6 - 19.0 mm (0.22" - 0.75")



IMPORTANTES PRECAUCIONES DE SEGURIDAD Y EXPLICACIÓN DE LOS SÍMBOLOS

- 1- Lea estas instrucciones.
- 2- Conserve estas instrucciones.
- 3- Observe todas las advertencias.
- 4- Siga todas las instrucciones.
- 5- Limpie solamente con un paño seco.
- 6- Instale de acuerdo con las instrucciones de QSC Audio Product y de un ingeniero profesional licenciado.
- 7- No instale cerca de ninguna fuente de calor tal como radiadores, registros de calor, estufas u otros aparatos (inclusive amplificadores) que produzcan calor.
- 8- Use solamente conectadores y accesorios de QSC Audio Products, Inc.
- 9- Use solo con montajes o soportes especificados por QSC Audio Products.
- 10- Refiera todo el servicio al personal calificado. Se requiere servicio cuando el aparato haya sido dañado de alguna manera.



El símbolo de un rayo con punta de flecha dentro de un triángulo equilátero tiene el propósito de alertar al usuario de la presencia de voltaje "peligroso" no aislado dentro de la caja del producto, que puede ser de suficiente magnitud para constituir un riesgo de descarga eléctrica a los seres humanos.



Este signo de exclamación dentro de un triángulo equilátero tiene el propósito de alertar al usuario de la existencia de importantes instrucciones de operación y mantenimiento (servicio) en este manual.



¡ADVERTENCIA! Antes de colocar, instalar, equipar o suspender cualquier altavoz, inspeccione todo el herraje, suspensión, gabinetes, transductores, soportes y equipo asociado para asegurarse de que estén en buenas condiciones. Todo componente faltante, corroído, deformado o clasificado sin carga podría reducir significativamente la resistencia de la instalación, colocación o disposición. Cualquiera de tales condiciones reduce gravemente la seguridad de la instalación y se debe corregir inmediatamente. Use sólo herraje que esté clasificado para las condiciones de carga de la instalación y para cualquier posible sobrecarga a corto plazo inesperada. Nunca exceda la capacidad nominal del herraje ni del equipo. Consulte a un ingeniero profesional licenciado cuando tenga dudas o preguntas referentes a la instalación física del equipo.

Garantía (sólo EE.UU.: consulte a su concesionario o distribuidor si desea información para otros países)

Liberación de responsabilidad

QSC Audio Products, Inc. no es responsable por ningún daño a los amplificadores, o a cualquier otro equipo, que sea causado por negligencia o por instalación y/o uso inadecuado de este altavoz.

Garantía limitada de 3 años de QSC Audio Products

QSC Audio Products, Inc. ("QSC") garantiza que sus productos estarán libres de materiales y mano de obra defectuosos durante un período de tres (3) años a partir de la fecha de la venta, y que reemplazará las piezas defectuosas y reparará los productos que no funcionen bien bajo esta garantía, cuando el defecto ocurra bajo condiciones normales de instalación y uso, siempre y cuando la unidad se devuelva a nuestra fábrica o a una de nuestras estaciones autorizadas de servicio mediante transportación pre-pagada con una copia del comprobante de compras (esto es, el recibo de la compra). Esta garantía dispone que el examen del producto devuelto debe indicar, a nuestro criterio, un defecto de fabricación. Esta garantía no se extiende a ningún producto que haya estado sujeto a uso inadecuado, negligencia, accidente, instalación incorrecta o cuando el código de la fecha se haya removido o alterado. QSC no será responsable por daños incidentales o resultantes. Esta garantía le da derechos legales específicos. Esta garantía limitada se puede transferir libremente durante su período de vigencia.

El cliente puede tener otros derechos, que pueden variar entre estados.

En el evento que este producto se haya fabricado para su exportación y venta fuera de Estados Unidos o de sus territorios, esta garantía limitada no será válida. La remoción del número de serie de este producto, o la compra de este producto a un concesionario no autorizado, anulará esta garantía limitada.

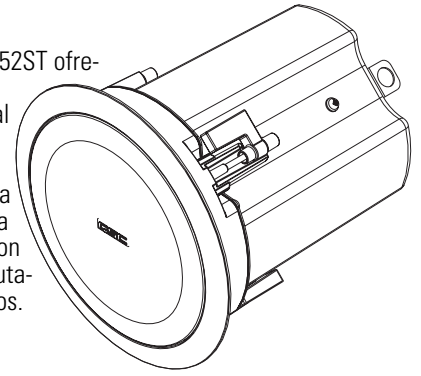
Periódicamente se actualiza esta garantía. Para obtener la versión más reciente de la declaración de la garantía de QSC, por favor visite www.qscaudio.com.

Comuníquese con nosotros al teléfono 800-854-4079 o visite nuestro sitio en la Web en www.qscaudio.com.

Introducción

Le felicitamos y agradecemos la compra de su altavoz de cielo raso. Los modelos AD-CI52T y AD-CI52ST ofrecen un excelente rendimiento acústico en un paquete atractivo y fácil de instalar. Por favor revise detenidamente estas instrucciones y siga las recomendaciones. Consulte a un instalador profesional licenciado si no está seguro sobre algún paso del montaje.

Ambos modelos cuentan con un excitador de baja frecuencia (LF) de 5 pulgadas y un excitador de alta frecuencia (HF) con un domo de 1 pulgada en una caja sellada. El modelo AD-CI52ST cuenta con una caja menos profunda que tiene un diámetro mayor y orificios. Todos los modelos están equipados con un transformador de audio adecuado para sistemas distribuidos de 70 V y 100 V, así como un conmutador selector de tomas que puede poner el transformador en derivación para aplicaciones de 8 ohmios.



Qué se incluye La caja de su altavoz de cielo raso contiene:

- el gabinete del altavoz
- el conjunto de la rejilla protectora
- dos soportes para instalaciones en cielo raso suspendido
- soporte de anillo en C para cielo raso suspendido y otras aplicaciones de refuerzo del cielo raso.
- tornillos autorroscantes (M4.2 X 1.4 X 10mm) para fijar el anillo en C a los soportes
- sujetador de la rejilla usado para sujetar entre sí las líneas de retención de plástico de la rejilla
- dos conectores de bloque de terminales para conectar la señal y hacer conexiones de cadena en margarita

ES

Opciones de instalación

Los altavoces AcousticDesign de montaje en cielo raso se pueden montar en cielos raso suspendidos, así como en los tipos no suspendidos. Recomendamos que consulte a un instalador profesional para garantizar la seguridad, una instalación de calidad y un rendimiento acústico óptimo.

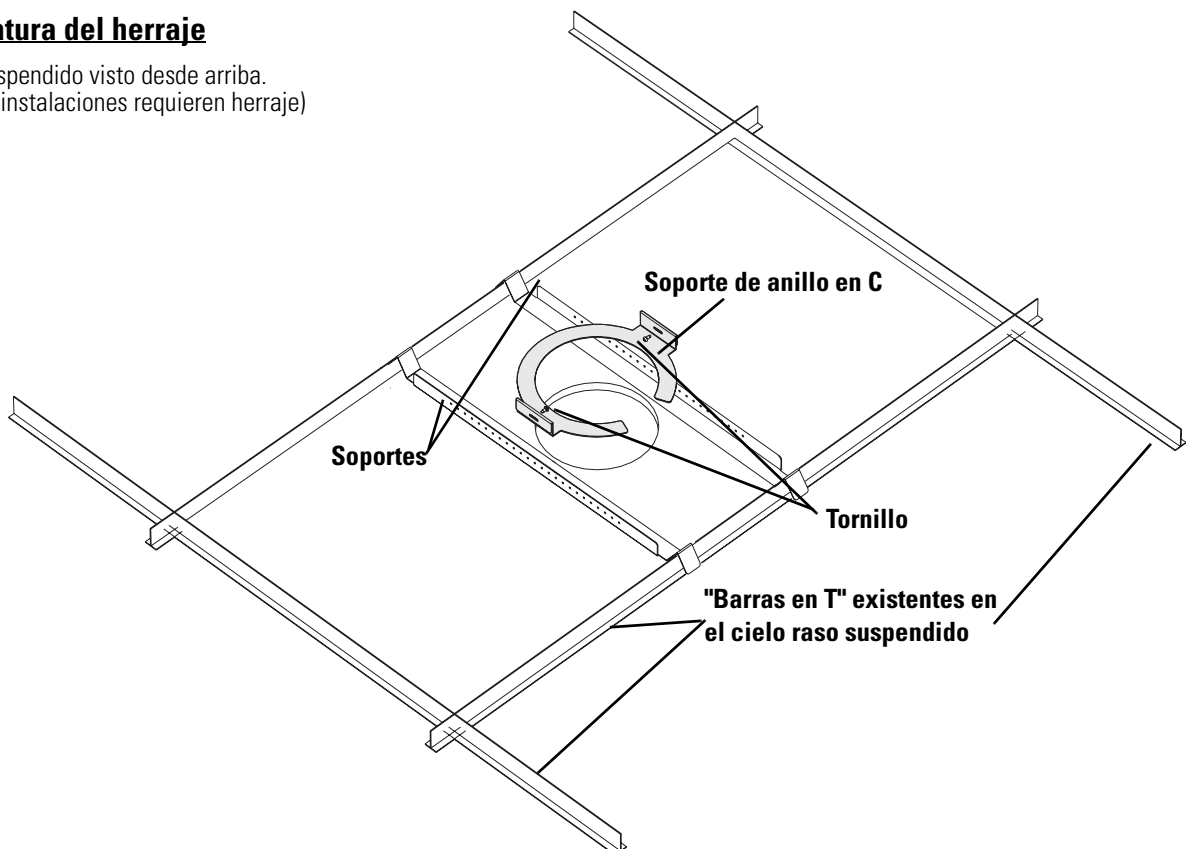
Para aplicaciones en cielo raso suspendido, se deben usar los soportes para cielo raso suspendido con el soporte de anillo en C. Los soportes para cielo raso suspendido están diseñados para ajustarse en barras en T con una separación de enrejado de 24 pulgadas o 600 mm. Los soportes no se conectan en la barra en T; la curva "V" angular se asienta sobre la barra en T y atraparé a la barra en T en caso de una falla o caída del recubrimiento.

Para otros tipos de cielo raso, se puede usar el soporte de anillo en C para reforzar la superficie de montaje. Si el cielo raso es adecuadamente resistente, el altavoz se puede asegurar en la abertura sin necesidad de refuerzo adicional. Las conexiones de audio se hacen usando conectores de tipo bloque de terminales. Se proporcionan dos juegos de terminales: un juego para la conexión de la señal y el otro para la conexión traspasante (o de cadena en margarita) a los otros altavoces del mismo circuito de distribución.

Se proporcionan dos características de seguridad, una lengüeta de seguridad para sujetar la caja y una cadena de seguridad para retener la rejilla. La lengüeta de la caja es una lengüeta metálica que se encuentra en la parte superior de la caja y que es adecuada para fijar el altavoz en la estructura del edificio; esto proporciona una máxima seguridad en caso de que la estructura del cielo raso fallara por alguna razón. La cadena de seguridad de la rejilla evita que la rejilla se caiga en el caso de que se aflojara por la vibración.

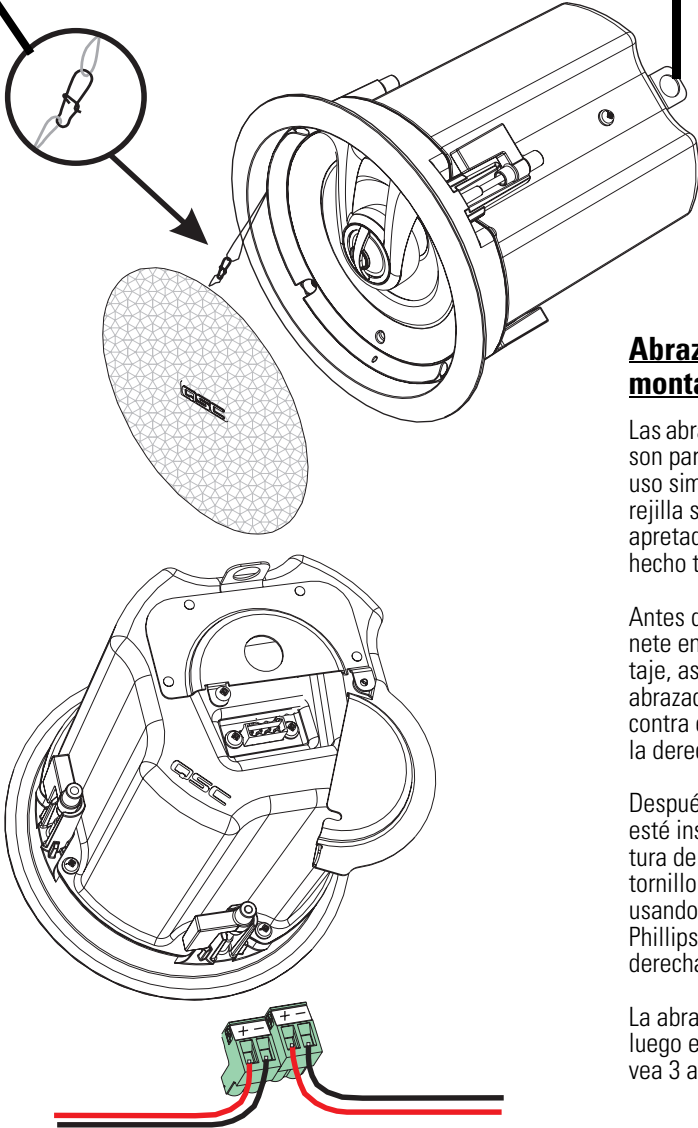
Nomenclatura del herraje

Cielo raso suspendido visto desde arriba.
(no todas las instalaciones requieren herraje)



Sujetador de seguridad de la rejilla

Tanto el gabinete como la rejilla tienen un pequeño bucle de cable de plástico. El bucle de la rejilla tiene conectado un sujetador. Con el sujetador de la rejilla, conecte la rejilla en el bucle del gabinete. Esto ayudará a evitar que la rejilla se caiga en caso de que se desconecte.



Conexiones

Conecte los cables de la señal al conector del bloque de terminales; preste atención a la polaridad. Conecte el siguiente altavoz al conector restante. Los conectores están cableados en paralelo; la conexión interna tiene una clasificación nominal de 400 W como máximo.

Otras recomendaciones e información importante

- Para retirar la rejilla: La rejilla se puede quitar levantando cuidadosamente alrededor de su borde externo o insertando un perno o gancho metálico pequeño en las aberturas de la rejilla y halando uniformemente alrededor de su perímetro.
- Si durante la operación se escucha un cascabeleo o un zumbido, es posible que sea necesario instalar material de amortiguamiento de la vibración entre los rieles de apoyo y el recubrimiento del cielo raso y/o las barras en T.
- Los rieles de apoyo tienen orificios a lo largo de su longitud útil para conectar el soporte de anillo en C. Esto permite que la abertura se coloque en muchas posiciones a lo largo del ancho del recubrimiento del cielo raso.

¡Use la lengüeta de apoyo secundaria!

Los altavoces pueden generar una vibración significativa. Además de asegurarse de que todo el herraje esté bien instalado y asegurado, debe usar la lengüeta de apoyo secundaria que se encuentra en la caja para fijar el altavoz a un soporte estructural apropiado. Esto minimizará las probabilidades de que el altavoz se caiga del cielo raso en el evento de que falle el montaje primario. Cualquier cable o alambre que se use como línea de apoyo secundario debe ser lo suficientemente fuerte para soportar varias veces el peso del altavoz. No use cuerdas, cordeles, hilo ni ninguna otra línea a base de textiles como sistema de apoyo secundario, ya que se podría cortar o quemar fácilmente. El punto de conexión del apoyo secundario y todos los dispositivos de fijación que se utilicen en la estructura del edificio también deben ser lo suficientemente fuertes para soportar varias veces el peso del altavoz.

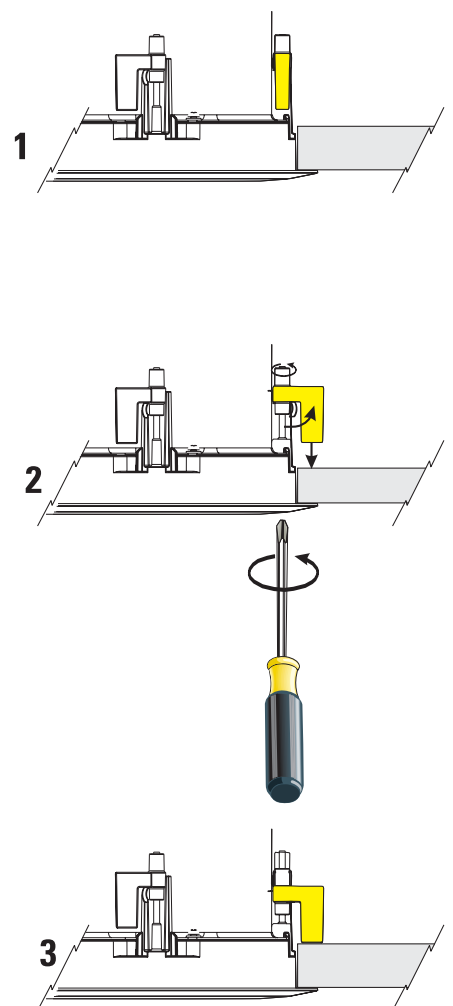
Abrazaderas de montaje

Las abrazaderas de montaje son parte del conjunto para uso simple. No instale la rejilla sino hasta que haya apretado las abrazaderas y hecho todos los ajustes.

Antes de introducir el gabinete en la abertura de montaje, asegúrese de que las abrazaderas estén dobladas contra el gabinete; vea 1 a la derecha.

Después de que el gabinete esté instalado en la abertura de montaje, apriete el tornillo de cada abrazadera usando un destornillador Phillips N.º 2; vea 2 a la derecha.

La abrazadera gira 90 ° y luego el tornillo la aprieta; vea 3 a la derecha.



Procedimiento de instalación

1- Con el anillo en C que se incluye o las dimensiones que se indican, trace el patrón de corte en la superficie del cielo raso.

2- Haga el orificio de montaje. Use una herramienta filosa para evitar aplicar tensión o agrietar la superficie de montaje.

3- Hale los cables a través del orificio.

4- Pase los dos soportes del cielo raso suspendido a través del orificio y colóquelos como se muestra en la ilustración. Asegúrese de que la parte del soporte que queda plana contra el recubrimiento quede orientada hacia el orificio. Si la instalación se va a hacer en un cielo raso no suspendido, no es necesario usar estas abrazaderas.

5- Pase el soporte de anillo en C a través del orificio. Primero deslice la ranura de la abertura en el orificio, y luego gire el soporte para que pase a través del orificio. Asegúrese de que los cables pasen a través del anillo.

6- Coloque los soportes y asegure el soporte de anillo en C en cada uno de los soportes usando los tornillos que se proporcionan. Si la instalación se va a hacer en un cielo raso no suspendido, no haga este paso.

7- Afloje el tornillo de retención de la placa de la cubierta de conexión y abra la cubierta. Instale un conector de cable con revestimiento no metálico apropiado en el orificio que se encuentra en la placa de la cubierta.

8- Apoye temporalmente la caja para poder pasar los cables a través de la parte superior de la caja con suficiente holgura para preparar y terminar los cables.

9- Ubique los conectores del bloque de terminales que se incluyen con el altavoz. Afloje totalmente los tornillos de retención del cable.

10- Quite aproximadamente 5 mm (0.2") del aislamiento de los extremos del cable e introduzca cada cable en su posición correcta en el conector. Apriete totalmente los tornillos de retención del cable.

11- Gire la placa de la cubierta de conexión para cerrarla, asegurándose de no aplicar tensión en las conexiones ni presionar los cables. Apriete el tornillo de retención de la placa de la cubierta.

12- Ajuste el cableado en el punto de entrada, si es necesario, y apriete el tornillo o tornillos de sujeción en el conector del cable con revestimiento no metálico. Esto evita tensión y estrés al halar las conexiones o los conectores para aflojarlos.

13- Conecte un cable de seguridad (un cable de soporte secundario) de la lengüeta de conexión de la caja a un punto de apoyo apropiado. Este cable y los puntos de conexión deben ser lo suficientemente fuertes como para soportar varias veces el peso del altavoz en caso de una falla del sistema primario de montaje.

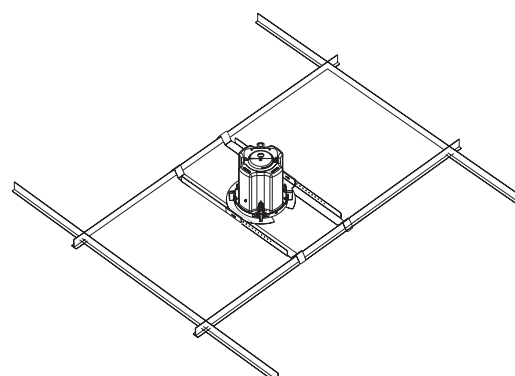
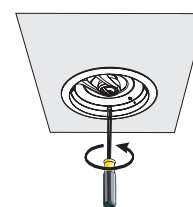
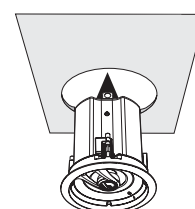
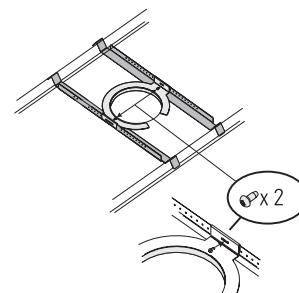
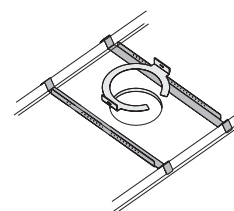
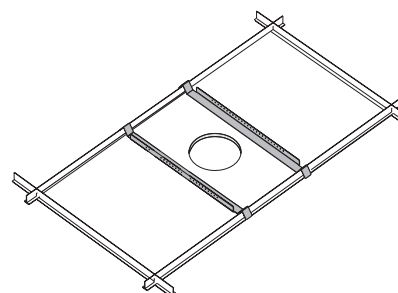
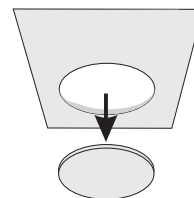
14- Introduzca la caja en la abertura del cielo raso, asegurándose de que todos los soportes usados permanezcan en una posición adecuada. Apriete los tornillos de las abrazaderas de montaje del altavoz.

15- Coloque el conmutador selector de tomas en la posición deseada. En los sistemas de 70 V, se pueden usar las cuatro posiciones. No use el ajuste mayor de tomas con sistemas de 100 V. En los sistemas de 8 ohmios, fije el selector en la posición de 8 ohmios.

16- Asegúrese de completar todas las pruebas y ajustes antes de instalar las rejillas. Ubique la rejilla del altavoz. Tanto el gabinete como la rejilla tienen un pequeño bucle de cable de plástico. Usando el sujetador de la línea de la rejilla, conecte el bucle de seguridad de la rejilla en el bucle del gabinete. Introduzca cuidadosamente la rejilla en su ranura de retención y presione firmemente en su lugar. Maneje la rejilla lenta y uniformemente para evitar daños.

Especificaciones, vea la p.6.

Dimensiones, vea la p.7.



PRÉCAUTIONS IMPORTANTES ET EXPLICATION DES SYMBOLES

- 1- Lire ces instructions.
- 2- Conserver ces instructions.
- 3- Respecter tous les avertissements.
- 4- Suivre toutes les instructions.
- 5- Nettoyer uniquement avec un chiffon sec.
- 6- Installer conformément aux instructions de QSC Audio Product et d'un technicien professionnel diplômé.
- 7- N'installer à proximité d'aucune source de chaleur comme des radiateurs, des registres de chaleur, poêles ou d'autres appareils (y compris des amplis) qui dégagent de la chaleur.
- 8- Utiliser uniquement des accessoires de marque QSC Audio Products, Inc.
- 9- Utiliser uniquement avec des supports ou équerres spécifiés par QSC Audio Products.
- 10- Confier toutes les réparations à un personnel qualifié. Une réparation ou maintenance est requise lorsque l'appareil a été endommagé d'une manière quelconque.



L'éclair clignotant fléché situé dans un triangle équilatéral a pour objet de signaler à l'utilisateur la présence d'une tension " dangereuse " non isolée dans le boîtier du produit, suffisante pour présenter un risque d'électrocution.

FR



Le point d'exclamation dans un triangle équilatéral a pour objet de signaler à l'utilisateur la présence d'instructions importantes d'utilisation et de maintenance (réparation) dans ce manuel.



AVERTISSEMENT ! Avant de placer, installer, monter ou suspendre un haut-parleur, inspecter l'état de toute la visserie, du matériel de suspension, des armoires, des transducteurs, des supports et du matériel associé. Tout composant manquant, corrodé, déformé ou non adapté à la charge risque de réduire sensiblement la solidité de l'installation, sa mise en place ou sa portée. Une telle condition réduit sensiblement la sécurité de l'installation et doit être immédiatement corrigée. Utiliser uniquement du matériel de montage prévu pour les conditions de charge de l'installation et toute surcharge éventuelle à court terme imprévue. Ne jamais dépasser les spécifications nominales du matériel de montage ou de l'équipement. Consulter un technicien professionnel diplômé en cas de doute ou de question concernant l'installation physique de l'équipement.

Garantie (États-Unis seulement ; dans les autres pays, consulter le revendeur ou le distributeur)

Renonciation

QSC Audio Products, Inc. n'est pas responsable des dommages subis par les amplificateurs ou tout autre équipement causé par un acte de négligence ou une installation impropre et/ou l'utilisation de ce haut-parleur.

QSC Audio Products - Garantie limitée de 3 ans

QSC Audio Products, Inc. (" QSC ") garantit que ses produits sont dépourvus de tout vice de fabrication et /ou de matériel pendant une période de trois (3) ans à partir de la date de vente, et remplacera les pièces défectueuses et réparera les produits qui fonctionnent mal dans le cadre de cette garantie si le défaut survient dans des conditions normales d'installation et d'utilisation - à condition que l'appareil soit retourné à l'usine ou à l'un de nos centres de réparation agréés en port pré-payé, accompagné d'un justificatif d'achat (facture, par ex.). Cette garantie prévoit que l'examen du produit retourné doit indiquer, selon notre jugement, un défaut de fabrication. Cette garantie ne s'étend à aucun produit qui a été soumis à une utilisation abusive, un acte de négligence, un accident, une installation incorrecte ou un produit dont le code-date a été retiré ou effacé. QSC ne pourra être tenu pour responsable de dommages accessoires et/ou indirects. Cette garantie vous accorde des droits spécifiques. Cette garantie limitée est librement cessible durant sa période de validité.

Le client pourra bénéficier d'autres droits, variables d'une province à l'autre.

Si ce produit a été fabriqué pour l'exportation et la vente en dehors des États-Unis ou de ses territoires, cette garantie limitée ne s'appliquera pas. Le retrait du numéro de série sur ce produit ou l'achat de ce produit auprès d'un revendeur non agréé annulera cette garantie limitée.

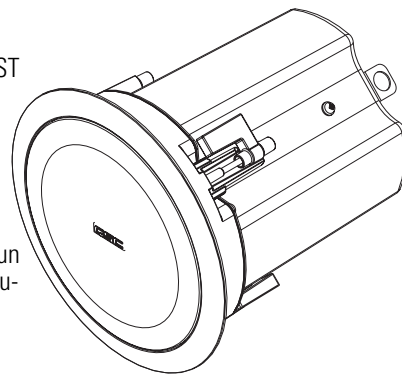
Cette garantie est régulièrement mise à jour. Pour obtenir la toute dernière version de la garantie de QSC, rendez-vous sur le site www.qscaudio.com.

Contactez-nous au 800-854-4079 ou visitez notre site Web www.qscaudio.com.

Introduction

Félicitations et merci d'avoir acheté le haut-parleur de plafond. Les modèles AD-CI52T et AD-CI52ST offrent une excellente performance acoustique dans un produit attrayant et facile à installer. Lire attentivement ces instructions et suivre les recommandations. En cas de doute sur certains points d'installation, consulter un professionnel d'installation qualifié.

Les deux modèles ont un étage d'attaque basse fréquence (LF) de 13,3 cm et un étage d'attaque haute fréquence bombé (HF) de 2,5 cm placés dans un boîtier étanche. Le modèle AD-CI52ST a un boîtier peu épais, mais d'un plus grand diamètre et à résonance. Tous les modèles sont équipés d'un transformateur audio adapté à des systèmes distribués de 70 V et 100 V, de même que d'un commutateur à prises multiples capable de contourner le transformateur pour les applications 8 ohms.



Contenu

La boîte du haut-parleur de plafond contient:

l'armoire du haut-parleur
la grille de protection
deux supports pour installation sur plafond suspendu
support en C pour plafonds suspendus et autres applications de renforcement de plafonds
vis auto-taraudeuses (M4.2 x 1,4 x 10 mm) pour la fixation de supports en C aux autres supports
clip de grille pour fixer la grille en plastique qui maintient les lignes ensemble
deux connecteurs pour le branchement du signal et une connexion en série

Options d'installation

Les haut-parleurs de plafond AcousticDesign peuvent être montés sur des plafonds suspendus, aussi bien que sur des plafonds non suspendus. Nous recommandons de faire appel à un installateur professionnel afin de garantir la sécurité, la qualité de l'installation et les performances acoustiques.

Pour les applications sur plafonds suspendus, les supports de plafond suspendu doivent être utilisés avec le support en C. Les supports de plafond suspendu sont prévus pour un intervalle de quadrillage de canal T de 600 mm. Les supports ne s'attachent pas au canal T ; le V incliné prend appui sur le canal T et bloquera celui-ci si une dalle de plafond cède ou tombe.

Pour les autres types de plafonds, le support en C peut servir à renforcer la surface de fixation. Si le plafond est suffisamment solide, le haut-parleur peut être fixé dans la découpe sans renforcement supplémentaire.

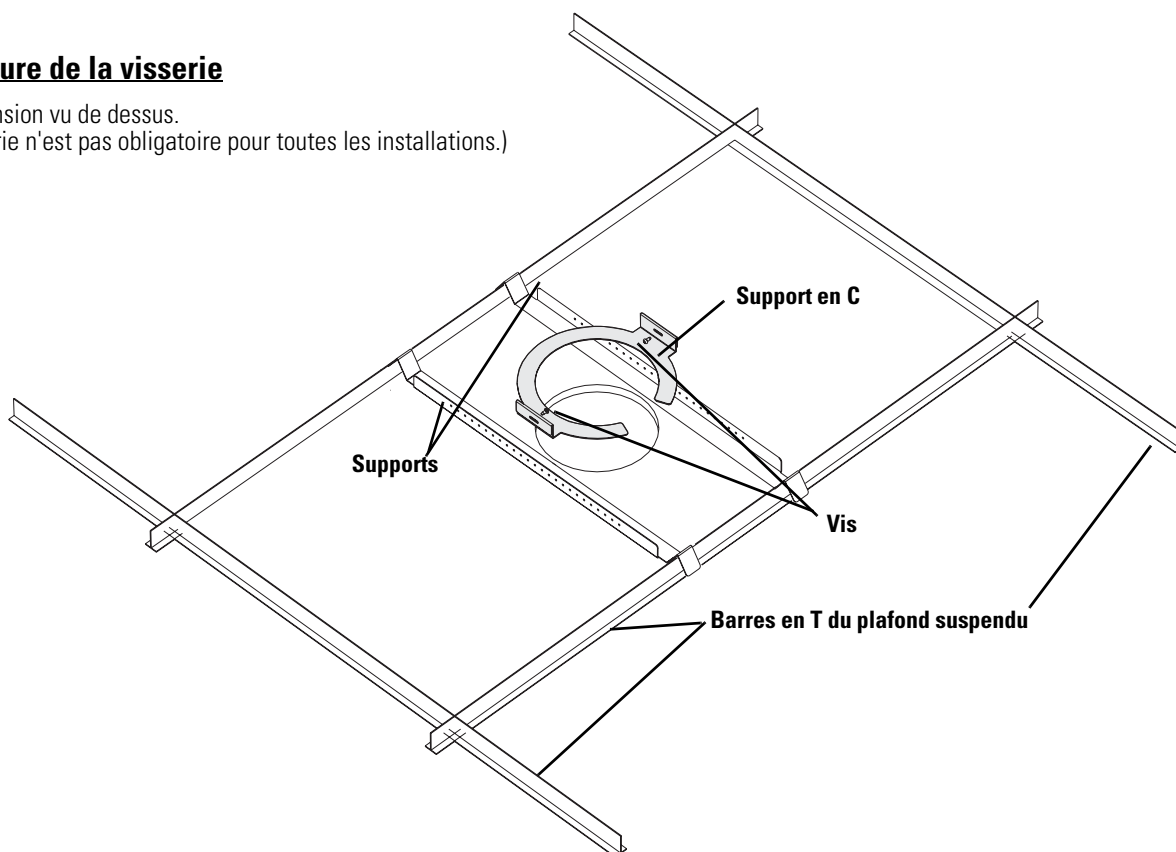
Les branchements audio s'établissent sur les connecteurs du type bornier. Deux jeux de bornes sont fournis ; l'un correspond au branchement du signal et l'autre au branchement en série d'autres haut-parleurs sur le même circuit de distribution.

Deux sécurités sont incluses : une patte de sécurité de fixation du boîtier et un cordon de sécurité de fixation de la grille. La patte de sécurité est une patte métallique sur le dessus du boîtier qui est adaptée à la fixation du haut-parleur sur des bâtis de construction ; c'est un gage de sécurité maximale si le plafond venait à céder pour une raison quelconque. Le cordon de sécurité de la grille empêche sa chute si elle venait à se désolidariser du boîtier suite aux vibrations.

Nomenclature de la visserie

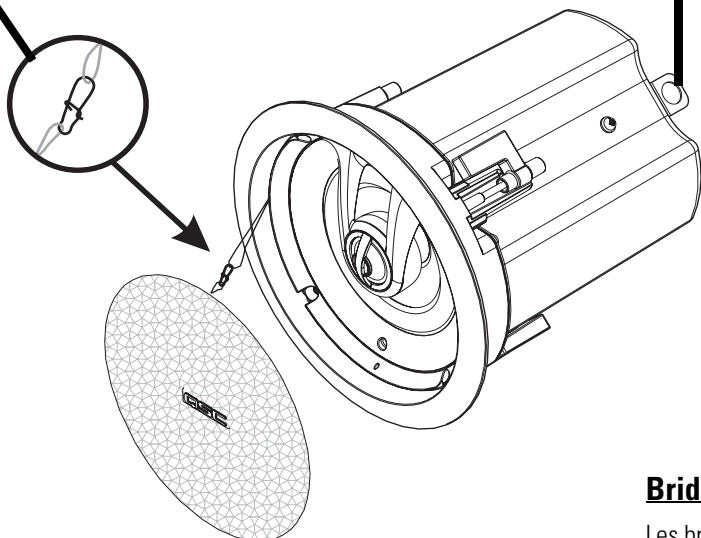
Plafond suspension vu de dessus.

(Toute la visserie n'est pas obligatoire pour toutes les installations.)



Clip de sécurité de la grille

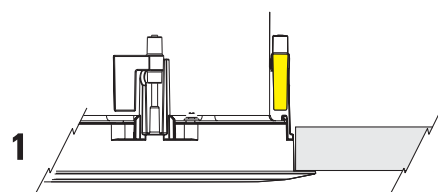
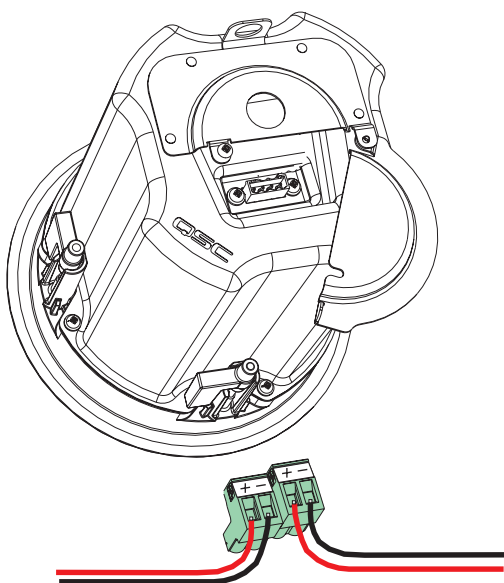
L'armoire et la grille ont toutes deux une petite boucle formée par un cordon en plastique. Un clip est attaché à la boucle de la grille. À l'aide du clip de la grille, attacher la grille à la boucle de l'armoire. Ceci permettra d'empêcher la grille de tomber si elle venait à se détacher.



Utiliser la patte de soutien secondaire !

Les haut-parleurs peuvent provoquer des vibrations importantes. Outre la garantie d'installation et de fixation correctes de la visserie, il faut utiliser la patte de soutien secondaire du boîtier pour fixer le haut-parleur sur un support structurel approprié afin de minimiser les risques de chute du haut-parleur si le support principal venait à céder. Tout câble ou fil utilisé comme cordon de soutien secondaire doit être suffisamment solide pour soutenir plusieurs fois le poids du haut-parleur. Ne pas utiliser de corde, ficelle ou un autre cordon en textile dans le système de soutien secondaire, car ces matériaux se coupent et brûlent facilement. Le point d'attache du support secondaire et toutes les attaches utilisées sur la structure du bâtiment doivent également être assez solides pour soutenir plusieurs fois le poids du haut-parleur.

FR



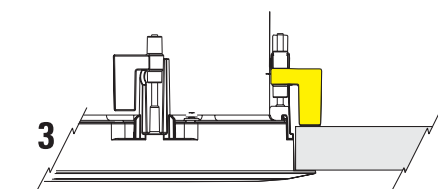
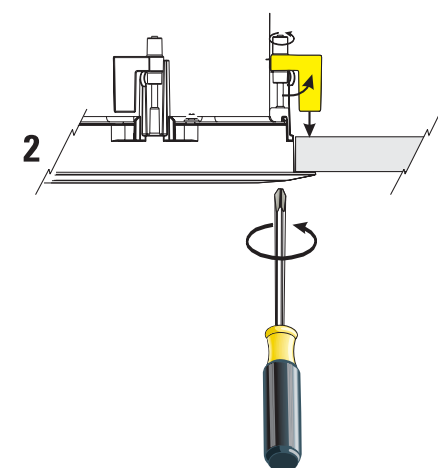
Brides de montage

Les brides de montage font partie de l'ensemble et simplifient l'utilisation. Ne pas installer la grille tant que les brides n'ont pas été serrées et avant d'avoir effectué tous les réglages.

Avant d'insérer l'armoire dans la découpe de montage, s'assurer que les brides sont repliées contre l'armoire (voir 1 à droite).

Une fois l'armoire installée dans la découpe, serrer chaque vis de bride avec un tournevis cruciforme no. 2 (voir 2 à droite).

La bride tourne de 90° et est ainsi tirée par la vis (voir 3 à droite).



Branchements

Connecter les fils de signal au connecteur du bornier ; faire attention à la polarité. Brancher ensuite le haut-parleur sur le connecteur restant. Les connecteurs sont câblés en interne et en parallèle et leur puissance maximale nominale est de 400 W.

Autres recommandations et informations importantes

- Retrait de la grille : Pour retirer la grille, soulever avec précaution au niveau de son bord extérieur ou insérer une petite broche en métal ou un petit crochet dans l'ouverture de la grille et tirer uniformément sur l'ensemble de son périmètre.
- Si elle vibre ou siffle durant le fonctionnement du haut-parleur, il faudra peut-être appliquer un matériau amortisseur de vibrations entre les rails de soutien et les dalles du plafond et/ou les canaux T.
- Les rails de soutien ont des trous le long de leur longueur utile pour permettre la fixation du support en C. Ceci permet le placement de la découpe dans de nombreuses positions sur la largeur de la dalle du plafond.

Procédure d'installation

1- À l'aide du support en C fourni ou des dimensions fournies, tracer le contour de la découpe sur la surface du plafond.

2- Découper le trou. Utiliser un outil pointu pour éviter d'affaiblir ou de fissurer la surface de fixation.

3- Tirer les fils à travers le trou.

4- Enfiler les deux supports pour plafond suspendu à travers le trou et mettre en place comme indiqué sur l'illustration. S'assurer que la partie du support qui est à plat contre la dalle est dirigée vers le trou. S'il s'agit d'une installation sur un plafond non suspendu, ces supports ne sont pas requis.

5- Enfiler le support en C à travers le trou. Glisser tout d'abord la fente de découpe dans le trou, puis tourner le support pour l'enfiler à travers le trou. S'assurer que les fils traversent le support en C.

6- Positionner les autres supports et fixer le support en C sur chacun d'entre eux à l'aide des vis fournies. S'il s'agit d'une installation sur un plafond non suspendu, ignorer cette étape.

7- Desserrer la vis de fixation du cache des connexions et basculer le cache pour l'ouvrir. Insérer le connecteur d'un câble blindé non métallique dans le trou prévu sur le cache.

8- Soutenir temporairement le boîtier pour que les fils puissent être enfilés dans la partie supérieure du boîtier avec assez de jeu pour les préparer et les interrompre.

9- Situer les connecteurs du type bornier fournis avec le haut-parleur. Desserrer à fond les vis de fixation des fils.

10- Dénuder les extrémités des fils sur 5 mm environ et insérer chacun des fils à la position prévue dans le connecteur. Resserrer à fond les vis de fixation des fils.

11- Tourner le cache pour le refermer, en veillant à ne pas tirer sur les connexions ni pincer les fils. Resserrer la vis de fixation du cache.

12- Au besoin, ajuster le câblage au point d'entrée et serrer la ou les vis sur le connecteur du câble blindé non métallique. Ceci permet d'éviter que les connexions/connecteurs se desserrent si les fils sont trop tendus.

13- Attacher un câble de sécurité (câble du support secondaire) entre la patte de fixation du boîtier et un point de soutien approprié. Ce câble et les points de fixation doivent être assez solides pour soutenir plusieurs fois le poids du haut-parleur si le système principal de montage venait à céder.

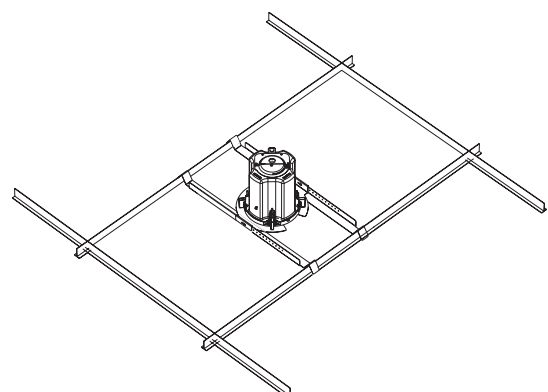
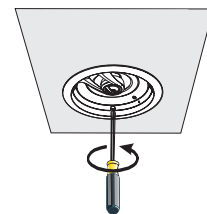
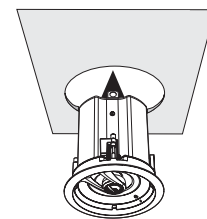
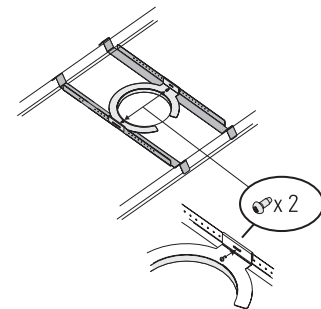
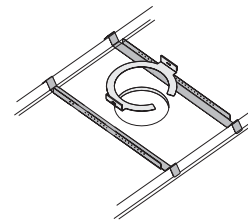
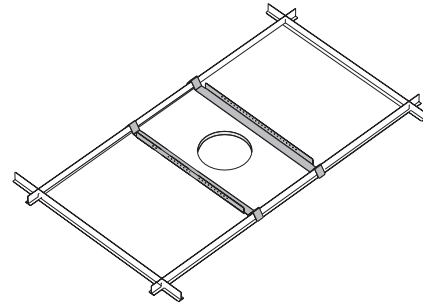
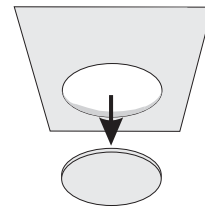
14- Insérer le boîtier dans la découpe du plafond, en s'assurant que les supports utilisés restent correctement positionnés. Serrer les vis de montage du haut-parleur.

15- Réglez le commutateur à prises multiples 8 ohms à la position souhaitée. Sur les systèmes 70 V, les quatre positions peuvent être utilisées. Ne pas utiliser le réglage maximum avec les systèmes 100 V. Sur les systèmes 8 ohms, réglez le sélecteur à la position 8 ohms.

16- S'assurer que tous les tests et réglages sont terminés avant d'installer la grille. Localiser la grille du haut-parleur. L'armoire et la grille ont toutes deux une petite boucle formée par un cordon en plastique. En utilisant le clip sur le cordon de la grille, attacher la boucle de sécurité de la grille à celle de l'armoire. Insérer avec précaution la grille dans sa fente de retenue et appuyer fermement en position. Procéder lentement et uniformément pour éviter d'endommager la grille.

Specifications, voir p.6.

Dimensions, voir p.7.



WICHTIGE SICHERHEITSVORKEHRUNGEN UND SYMBOLERKLÄRUNG

1. Diese Anleitung sorgfältig durchlesen.
2. Diese Anleitung gut aufbewahren.
3. Alle Warnhinweise beachten.
4. Alle Anleitungen befolgen.
5. Nur mit einem trockenen Tuch reinigen.
6. Die Installation gemäß der Anleitung von QSC Audio Products und eines lizenzierten Fachtechnikers vornehmen.
7. Nicht in der Nähe von Wärmequellen wie Heizkörpern, Öfen oder anderen wärmeabstrahlenden Geräten (einschließlich Verstärkern) aufstellen, die Wärme abstrahlen.
8. Nur Zubehör von QSC Audio Products, Inc. verwenden.
9. Nur von QSC Audio Products spezifizierte Montagevorrichtungen oder Halterungen verwenden.
10. Wartungsarbeiten nur von qualifizierten Technikern durchführen lassen. Wartungsmaßnahmen sind erforderlich, wenn das Produkt auf irgendeine Weise beschädigt wurde.



Das aus einem Blitz mit einer Pfeilspitze bestehende Symbol in einem Dreieck soll den Benutzer auf das Vorhandensein nicht isolierter gefährlicher Spannungen innerhalb des Produktgehäuses aufmerksam machen, die stark genug sein können, um das Risiko eines elektrischen Schlages zu beinhalten.



Das Ausrufezeichen in einem Dreieck soll den Benutzer auf das Vorhandensein wichtiger Betriebs- und Wartungsanleitungen in diesem Handbuch aufmerksam machen.



WARNUNG! Inspizieren Sie vor dem Aufstellen, Installieren, Verdrahten oder Aufhängen jeglicher Lautsprecherprodukte alle Hardwarekomponenten, Aufhängungen, Gehäuse, Wandler, Halterungen und damit in Verbindung stehende Vorrichtungen auf eventuelle Schäden. Fehlende, korrodierte, verformte oder nicht belastbare Komponenten könnten die Stabilität der Installation, der Aufstellung oder der Gerätekombination deutlich reduzieren. Jeder Zustand dieser Art bewirkt eine erhebliche Verringerung der Sicherheit der Installation und sollte umgehend behoben werden. Verwenden Sie ausschließlich Hardware, die für die erwarteten Belastungen zugelassen und für potenzielle, unerwartete, kurzfristige Überbelastungen ausgelegt ist. Die Nennleistung der Hardware bzw. Ausrüstung darf keinesfalls überschritten werden. In Zweifelsfällen oder bei Fragen zur Installation eines Geräts sollten Sie einen qualifizierten Techniker hinzuziehen.

DE

Garantie (nur für die USA; wenden Sie sich zwecks Garantieinformationen für andere Länder an Ihren zuständigen Vertrieb bzw. Händler)

Haftungsausschluss

QSC Audio Products, Inc. ist nicht für Schäden an Verstärkern oder anderen Geräten haftbar, die durch Fahrlässigkeit oder eine unsachgemäße Installation und/oder Verwendung dieses Lautsprecherprodukts verursacht werden.

Beschränkte Dreijahresgarantie durch QSC Audio Products

QSC Audio Products, Inc. ("QSC") gewährleistet, dass ihre Produkte für einen Zeitraum von drei (3) Jahren ab dem Kaufdatum keine Material- und/oder Herstellungsfehler aufweisen werden, und QSC verpflichtet sich zum Ersatz defekter Teile und zur Reparatur nicht ordnungsgemäß funktionierender Produkte gemäß dieser Garantie, wenn dieser Fehler bei normaler Installation und normalem Gebrauch auftritt - vorausgesetzt, dass das Gerät unter Vorauszahlung der Transportkosten und zusammen mit einer Kopie des Kaufnachweises (z.B. der Kaufquittung) an unser Werk zurückgeschickt oder an eine unserer autorisierten Kundendienststellen eingeschickt wird. Diese Garantie setzt voraus, dass die Untersuchung des zurückgesandten Produkts in unserem Ermessen einen Herstellungsdefekt zu erkennen geben muss. Diese Garantie gilt nicht für Produkte, die einer unsachgemäßen oder fahrlässigen Behandlung, Unfällen oder einer unvorschriftsmäßigen Installation unterlagen, oder deren Datumscode entfernt oder unkenntlich gemacht wurde. QSC ist nicht für Neben- und/oder Folgeschäden haftbar. Diese Garantie gewährt Ihnen bestimmte Rechte. Diese beschränkte Garantie ist während der Garantiezeit frei übertragbar.

Manche Kunden können je nach Rechtsprechung zusätzliche und andere Rechte besitzen.

Falls dieses Produkt zum Export und Verkauf außerhalb der Vereinigten Staaten oder deren Hoheitsgebieten hergestellt wurde, besitzt diese eingeschränkte Garantie keine Gültigkeit. Die Entfernung der Seriennummer auf diesem Produkt oder der Kauf dieses Produkts von einem nicht autorisierten Händler macht diese beschränkte Garantie unwirksam.

Diese Garantie wird gelegentlich aktualisiert. Die jeweils aktuellste Version der Garantieerklärung von QSC finden Sie im Internet unter www.qscaudio.com.

Sie erreichen uns telefonisch unter +1 800-854-4079 (gebührenfrei in den USA und Kanada) oder im Internet unter www.qscaudio.com.

Einführung

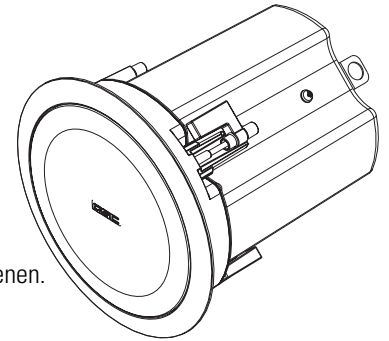
Wir freuen uns, dass Sie sich für diesen Deckenlautsprecher entschieden haben. Herzlichen Glückwunsch! Die Modelle AD-CI52T und AD-CI52ST bieten eine ausgezeichnete akustische Leistung in einem einfach zu installierenden und attraktiven Paket. Bitte lesen Sie diese Anleitung sorgfältig durch und beachten Sie alle Empfehlungen. Wenden Sie sich an einen lizenzierten Installationsfachmann, wenn Sie sich bzgl. bestimmter Montageprobleme nicht sicher sind.

Beide Modelle besitzen einen 5.25"-Niederfrequenz (NF)-Druckkammertreiber sowie einen 1"-Hochfrequenz (HF)-Druckkammertreiber in einem gekapselten Gehäuse. Der AD-CI52ST weist ein flaches Gehäuse mit einem größeren Durchmesser und Anschlüssen auf. Alle Modelle sind mit einem für verteilte 70-V- und 100-V-Systeme ausgelegten Audio-Transformator sowie mit einem Stufenwahlschalter ausgerüstet, mit dem der Transformator für 8-Ohm-Anwendungen umgangen werden kann.

Lieferumfang

Packungsinhalt des Deckenlautsprechers:

- Lautsprechergehäuse
- Schutzgitterbaugruppe
- zwei Trageschienen für die Montage an Hängedecken
- C-Ring-Halterung für Hängedecken und andere deckenverstärkende Installationen
- Schneidschrauben (M4,2 X 1,4 X 10 mm) zur Befestigung der C-Ring-Halterung an den Trageschienen.
- Gitterclip zum Verbinden der Plastikhalteleinen des Gitters
- zwei Klemmenleistenstecker zur Signalverbindung und zur Reihenschaltung



Installationsoptionen

Die deckenmontierten AcousticDesign-Lautsprecher können in Hängedecken wie auch in anderen nicht untergehängten Deckentypen montiert werden. Wir empfehlen zur Gewährleistung der Sicherheit, für eine Installation von hoher Qualität und für eine optimale akustische Leistung die Hinzuziehung eines Installationsfachmanns.

Bei einer Anbringung in Hängedecken müssen die Hängedecken-Trageschienen zusammen mit der C-Ring-Halterung verwendet werden. Die Hängedecken-Trageschienen sind für 24" (600 mm) t-Kanal-Gitterabstände ausgelegt. Die Schienen werden nicht direkt am t-Kanal angebracht; das abgewinkelte "V" befindet sich über dem t-Kanal und fängt diesen im Falle eines Versagens oder Herausfallens einer Platte auf.

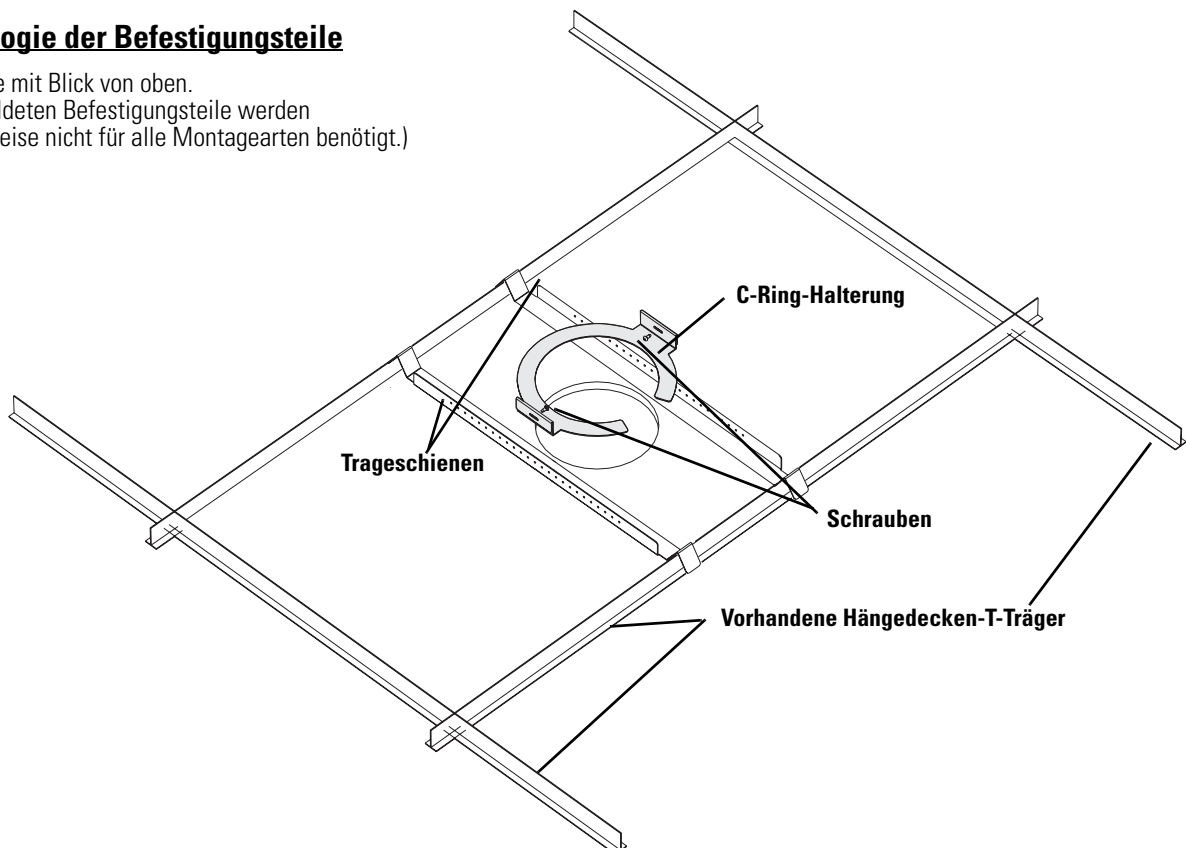
Bei anderen Deckentypen kann die C-Ring-Halterung zum Verstärken der Montagefläche benutzt werden. Wenn die Decke stabil genug ist, kann der Lautsprecher ohne jede zusätzliche Verstärkung im Lochausschnitt gesichert werden.

Die Audioanschlüsse werden in der Art einer Klemmenleiste mit Steckern hergestellt. Es werden zwei Klemmensätze bereitgestellt: einer für die Signalverbindung und einer für die Passthrough- (oder reihengeschaltete) Verbindung mit anderen Lautsprechern am gleichen Verteilungsstromkreis.

Zwei Sicherheitsmerkmale - eine gehäusesichernde Haltelasche und eine gittersichernde Halteleine - sind im Lieferumfang enthalten. Bei der Gehäuselasche handelt es sich um eine Metallöse oben auf dem Gehäuse, mit der der Lautsprecher am Balkenwerk des Gebäudes befestigt werden kann; auf diese Weise ist für den Fall, dass die Deckenstruktur aus irgendeinem Grund versagt, für eine optimale Sicherheit gesorgt. Die Halteleine des Gitters verhindert, dass das Gitter bei einer eventuellen vibrationsbedingten Ablösung herunterfällt.

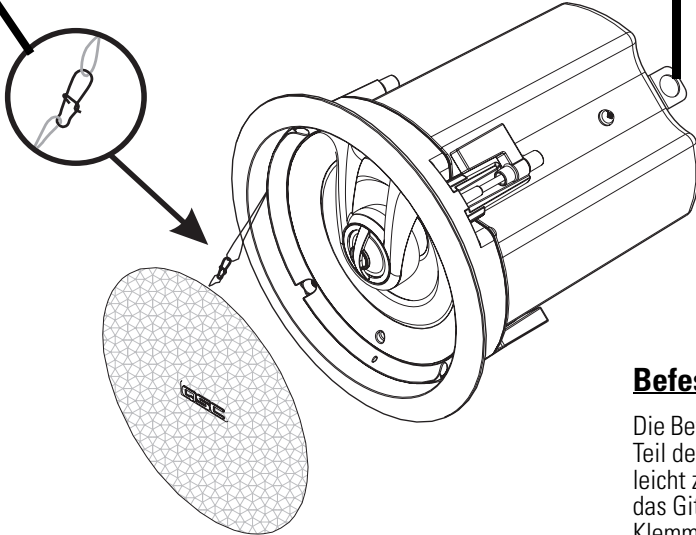
Terminologie der Befestigungsteile

Hängedecke mit Blick von oben.
(Die abgebildeten Befestigungsteile werden möglicherweise nicht für alle Montagearten benötigt.)



Gitter-Halteclip

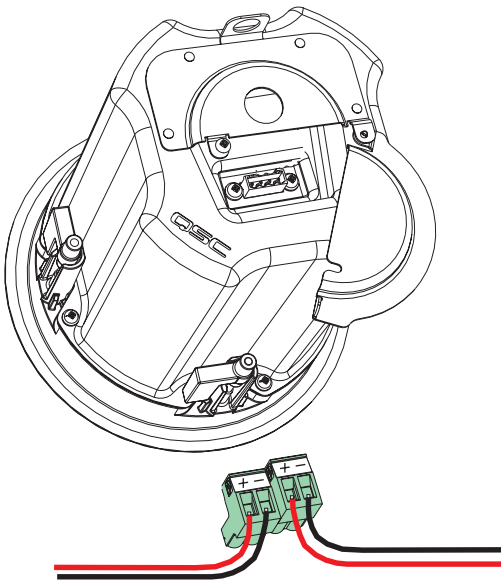
An Gehäuse und Gitter befindet sich eine kleine, aus einer Plastikleine bestehende Schlaufe. An der Gitterschlaufe ist ein Halteclip angebracht. Mithilfe dieses Halteclips wird das Gitter an der am Gehäuse angebrachten Schlaufe befestigt. Auf diese Weise wird ein Herunterfallen des Gitters bei einer eventuellen Ablösung vom Lautsprecher verhindert.



Benutzen Sie die sekundäre Haltelasche!

Lautsprecher können potenziell erhebliche Vibrationen verursachen. Sie müssen nicht nur sicherstellen, dass alle Befestigungsteile ordnungsgemäß angebracht und gesichert wurden, sondern den Lautsprecher mithilfe der sekundären Haltelasche am Gehäuse auch an einem geeigneten selbsttragenden Bauelement befestigen. Auf diese Weise wird das Risiko, dass der Lautsprecher bei einem Versagen der primären Montagevorrichtung von der Decke herunterfällt, minimiert. Jedes Kabel bzw. jeder Draht, der als sekundäre Trageleine benutzt wird, muss stabil genug sein, um ein Mehrfaches des Gewichts des Lautsprechers zu tragen. Seile, Schnüre, Zwirn oder andere auf Textilien basierende Leinen sind im sekundären Haltesystem völlig ungeeignet, da sie leicht zerschnitten oder verbrannt werden können. Der Befestigungspunkt des sekundären Haltesystems und alle Befestigungsteile an der Gebäudestruktur müssen ebenfalls stark genug sein, um ein Mehrfaches des Gewichts des Lautsprechers zu tragen.

DE



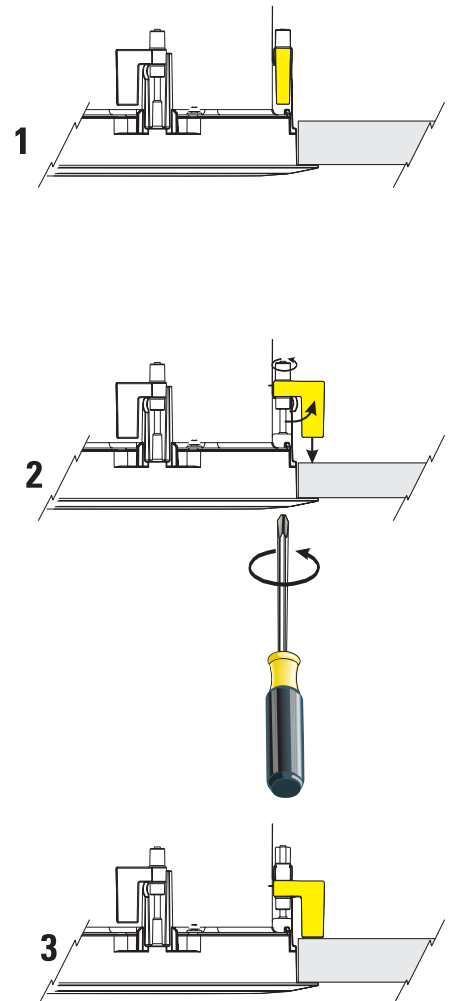
Befestigungsklemmen

Die Befestigungsklemmen sind Teil des Montagesystems und leicht zu benutzen. Bringen Sie das Gitter erst an, wenn die Klemmen angezogen und alle Einstellungen vorgenommen wurden.

Vergewissern Sie sich vor dem Einsetzen des Gehäuses in den Montageausschnitt, dass die Klemmen eingeklappt am Gehäuse anliegen (siehe Abb. 1 rechts).

Ziehen Sie die Schraube jeder Klemme nach dem Einsetzen des Gehäuses in den Montageausschnitt mit einem Kreuzschlitzschraubenzieher (Nr. 2) an (siehe Abb. 2, rechts).

Die Klemme wird um 90° gedreht und dann von der Schraube festgezogen (siehe Abb. 3, rechts).



Verbindungen

Schließen Sie die Signaldrähte unter Beachtung der richtigen Polarität am Klemmenleistenstecker an. Schließen Sie dann den Lautsprecher am verbleibenden Stecker an. Die Anschlüsse sind parallel geschaltet, und der interne Anschluss ist für max. 400 W ausgelegt.

Weitere Empfehlungen und wichtige Informationen

- Ausbau des Gitters: Das Gitter kann durch vorsichtiges Abstemmen entlang seines Außenrands oder durch Einsetzen eines kleinen Metallstifts oder -hakens in die Öffnungen des Gitters und gleichmäßiges Ziehen entlang seines Umfangs entfernt werden.
- Wenn während des Betriebs ein Klappern oder Summen zu vernehmen ist, muss möglicherweise zwischen den Trageschienen und den Deckenfliesen und/oder t-Kanälen schwingungsdämpfendes Material eingesetzt werden.
- Die Trageschienen sind entlang ihrer nutzbaren Länge mit Löchern versehen, durch die die C-Ring-Halterung angebracht werden kann. Auf diese Weise kann der Ausschnitt in vielen verschiedenen Positionen entlang der Länge der Deckenplatte platziert werden.

Montageverfahren

1- Verwenden Sie den inbegriffenen C-Ring als Schablone oder die vorgegebenen Abmessungen, um das Muster des Ausschnitts auf die Deckenoberfläche zu übertragen.

2- Schneiden Sie das Montageloch aus. Verwenden Sie dazu ein scharfes Werkzeug, um die Montagefläche nicht zu stark zu belasten und evtl. Sprünge zu verhindern.

3- Ziehen Sie die Drähte durch das Loch.

4- Führen Sie die beiden Hängedecken-Trageschienen durch das Loch und platzieren Sie sie gemäß der Abbildung. Achten Sie darauf, dass der flach an der Platte anliegende Teil der Schiene zum Loch hin zeigt. Bei einer Montage in einer nicht untergehängten Decke sind diese Schienen nicht nötig.

5- Führen Sie die C-Ring-Halterung durch das Loch. Schieben Sie den Ausschnitt zuerst in das Loch und drehen Sie dann die Halterung, sodass sie durch das Loch geschoben werden kann. Die Drähte müssen durch den Ring hindurch geführt werden.

6- Positionieren Sie die Trageschienen und befestigen Sie die C-Ring-Halterung mit den mitgelieferten Schrauben an jeder Schiene. Bei einer Montage in einer nicht untergehängten Decke lassen Sie diesen Schritt aus.

7- Lockern Sie die Sicherungsschraube der Verbindungsabdeckplatte und klappen Sie die Abdeckung auf. Setzen Sie einen geeigneten, nichtmetallischen, abgeschirmten Kabelstecker in das Loch auf der Abdeckplatte ein.

8- Stützen Sie das Gehäuse vorübergehend ab, damit die Drähte oben durch das Gehäuse geführt werden können. Sorgen Sie für genug Durchhang, um die Drähte vorbereiten und abschließen zu können.

9- Für den nächsten Schritt benötigen Sie die im Lieferumfang des Lautsprechers enthaltenen Klemmenleistenstecker. Lösen Sie die Drahtsicherungsschrauben völlig.

10- Isolieren Sie die Drahtenden um ca. 5 mm ab und bringen Sie jeden Draht in seine vorschriftsmäßige Anschlussposition. Ziehen Sie die Drahtsicherungsschrauben wieder fest an.

11- Drehen Sie die Anschlussabdeckplatte in ihre geschlossene Position, ohne die Anschlüsse zu belasten oder die Drähte einzuklemmen. Ziehen Sie die Sicherungsschrauben der Abdeckplatte an.

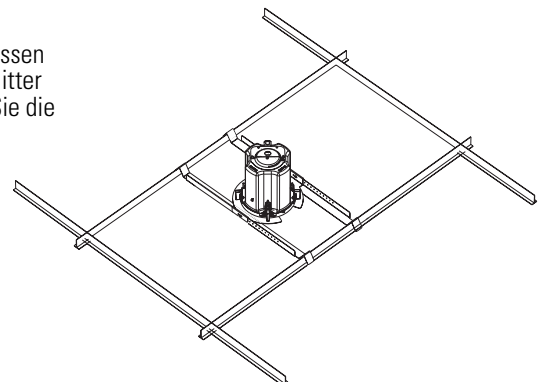
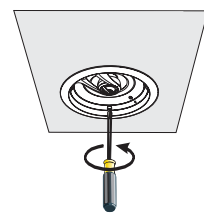
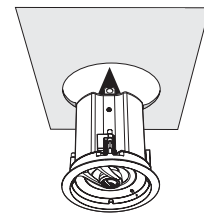
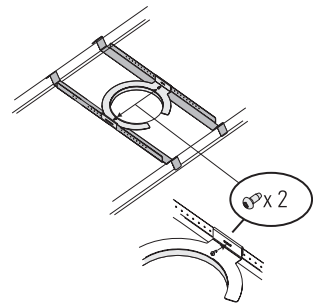
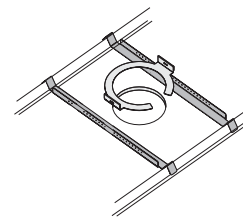
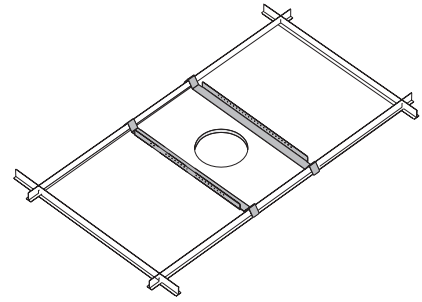
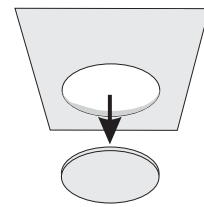
12- Rücken Sie die Verdrahtung am Eintrittspunkt ggf. zurecht und ziehen Sie die Klemmschraube(n) am nichtmetallischen, abgeschirmten Kabelstecker an. Dadurch werden eine übermäßige Spannung und Belastung des Drahts und ein Lockern der Anschlüsse/Stecker vermieden.

13- Führen Sie ein Sicherheitskabel (sekundäres Haltekabel) von der Befestigungslasche des Gehäuses zu einem geeigneten Tragepunkt und befestigen Sie es. Dieses Kabel und die Haltepunkte müssen stark bzw. stabil genug sein, um im Falle eines Versagens des primären Montagesystems ein Mehrfaches des Gewichts des Lautsprechers aufzufangen.

14- Setzen Sie das Gehäuse in den Deckenausschnitt ein und vergewissern Sie sich, dass alle benutzten Haltevorrichtungen in ihrer vorschriftsmäßigen Position bleiben. Ziehen Sie die Montageklemmschrauben des Lautsprechers an.

15- Versetzen Sie den Stufenwahlschalter in die gewünschte Position. Bei 70-V-Systemen sind alle vier Positionen möglich. Bei 100-V-Systemen darf die höchste Stufeneinstellung nicht benutzt werden. Stellen Sie den Wahlschalter bei 8-Ohm-Systemen auf die 8-Ohm-Position ein.

16- Vor dem Anbringen des Gitters müssen alle Tests und Einstellungen abgeschlossen sein. Nehmen Sie das Schutzgitter des Lautsprechers zur Hand. An Gehäuse und Gitter befindet sich eine kleine, aus einer Plastikleine bestehende Schlaufe. Befestigen Sie die Halteschlaufe des Gitters mithilfe des Halteclips an der Leine des Gitters an der am Gehäuse angebrachten Schlaufe. Schieben Sie das Gitter vorsichtig in seinen Sicherungsschlitz und drücken Sie es kräftig an. Gehen Sie dabei langsam und gleichmäßig vor, um evtl. Schäden zu vermeiden.



Technische Daten, siehe S.6

Abmessungen, siehe S. 7

重要安全规范和符号解释

- 1- 阅读这些规定。
- 2- 保存这些规定。
- 3- 注意所有警告。
- 4- 遵守这些规定。
- 5- 只能用于布擦拭。
- 6- 按照 QSC Audio Product 的说明并在授权的专业工程师的指导下安装。
- 7- 不要在热源附近安装，热源指可产生热量的设备，如散热器、热中央处理注册器、炉子或者其他设备（包括放大器）。
- 8- 只使用 QSC Audio Products, Inc. 的配件。
- 9- 只使用标明为 QSC Audio Products 生产的托架。
- 10- 由合格人员进行维护。设备如果受到损坏，就需要进行维修。



等边三角形内带箭头的闪电符号警告用户该产品外壳内的非绝缘“危险”电压会对人身产生电击危险。



等边三角形内的惊叹号提示用户本手册中重要的操作和维护说明。

CH



警告！在放置、安装、装配或者悬置任何扬声器产品前，请检查所有的硬件、吊具、机壳、传感器、支架和相关设备是否有损坏。任何丢失、腐蚀、变形或未装载额定组件会显著降低安装、放置或排列的强度。任何上述状况都会极大地降低安装的安全性，需要马上纠正。只使用额定适用安装加载条件和任何短期内不会超载的硬件。永远不要超过硬件或设备额定。遇到物理设备安装问题或疑问时，请咨询授权的专业工程师。

保修（只限美国；其他国家，请联系您的经销商或分销商）

以下不在承诺之列：

QSC Audio Products, Inc. 对于由于疏忽或不适当的安装和 / 或使用这一扩音器产品所造成的任何放大器或任何其它设备的损坏不承担任何责任。

QSC Audio Products 3 年有限质保

QSC Audio Products, Inc. (“QSC”) 担保其产品在销售期三年内不会产生损坏，若在正常安装和使用条件下发生的损坏 QSC 将会按照本质保协议更换零件和维修故障产品 – 但您要预付运送费用并附带一份购买证明（即销售收据）影印本以将产品送回我们的工厂或任一授权维修点进行维修。此质保假定，对返回产品的检查必须标明制造缺陷（由我们判断）。此质保不适用于任何因误用、疏忽、意外事故、不正确的安装或日期编码被去掉或损坏的产品。QSC 不对偶发的 / 或间接发生的损坏负责。此质保明确说明了您的法定权利。此有限质保在质保期内可自由转移。

不同州的客户可能会享有不同的其他权利。

此有限质保不适用于出口并在美国领土以外地区销售的产品。去掉产品上的序列号或从未授权的经销商购买本产品，不适用于此有限质保。

此质保会不定期更新。要取得最新版本的 QSC 质保声明，请访问 www.qscaudio.com。

联系我们：800-854-4079，或访问我们的网站：www.qscaudio.com。

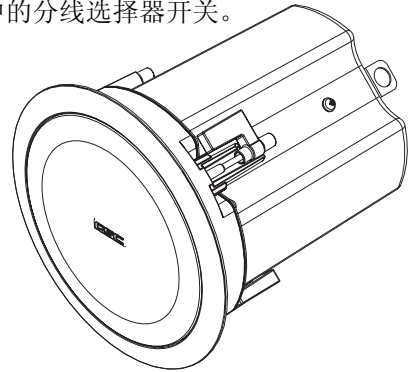
简介

祝贺并感谢您购买吸顶式扩音器。AD-CI52T 和 AD-CI52ST 型扩音器具有卓越的声音性能并且易于安装，同时，其外观也极富魅力。请仔细阅读这些说明并按以下建议进行操作。如果您有任何无法确定的安装问题，请咨询授权的专业安装人员。

这两种型号都是密封式外壳，内配有一个 5.25” 低频 (LF) 扬声器单元和一个 1” 半球形高频 (HF) 扬声器单元。AD-CI52ST 为中空外壳，直径较大，并有开孔。所有型号都配有一个适合于 70V 和 100V 分步式系统的音频变压器，以及一个可以将变压器分路到 8 欧姆应用中的分线选择器开关。

包装箱内容

- 吸顶式扩音器包装箱内包括以下内容：
- 扩音器机壳
- 防护栅格组件
- 两个用于吊顶安装的支架
- 用于吊顶和其他吸顶式安装时的 C 型环支架
- 用于紧固 C 型环与支架的自攻螺丝 (M4.2 X 1.4 X 10mm)
- 用于将塑胶栅格上的固定线夹在一起的栅格夹
- 两个用于连接信号和菊链的接线盒连接器



安装选项

AcousticDesign 吸顶式扩音器可进行吊顶安装以及非吊顶安装。我们建议您咨询专业安装人员以确保安全、高质量的安装，从而获得理想的声音性能。

要进行吊顶安装，吊顶支架必须与 C 型环支架一起使用。吊顶支架设计为可适应 24” 或 600 mm t 通道间格距离。支架不得贴住 t 通道；“V” 型角的弯管置于 t 通道旁边，并将在天花板损坏或脱落的情况下拉住 t 通道。

对于其他吸顶式类型，C 型环支架可用于加固安装面。如果天花板有足够的强度，扩音器可紧固在截断孔而无需另外加固。

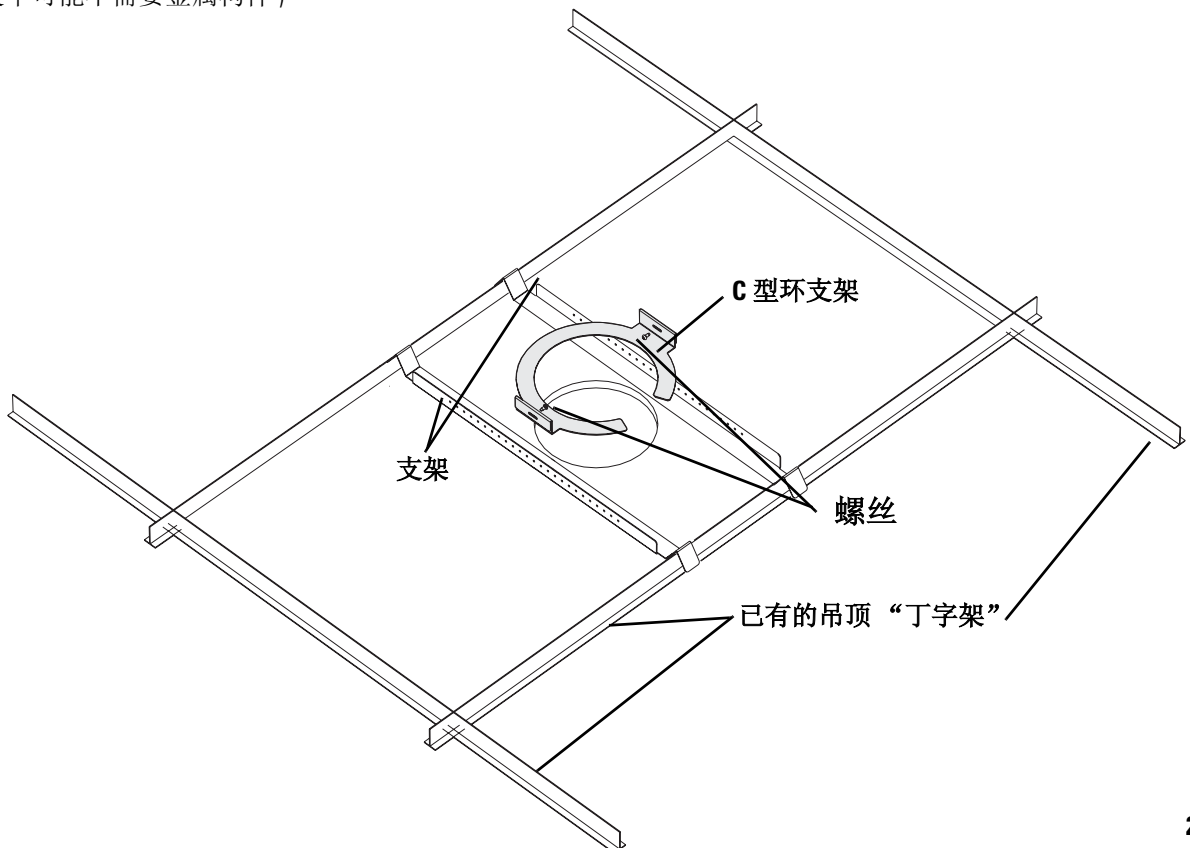
可通过接线盒型连接器进行音频连接。配备了两套接线端；一套用于信号连接，另一套用于穿过 (或菊链) 连接到同一个分布电路中的其他扩音器。

具备两个安全功能，一个为音箱固定安全扣，另一个为栅格固定安全系链。音箱扣是在音箱顶部的一个金属扣，用于固定扩音器以构建框架；在因任何原因致使天花板损坏的情况下，它提供了最高的安全性。栅格安全链防止栅格因振动而松脱坠落。

金属构件术语

从上方观察吊顶。

(全部安装中可能不需要金属构件)

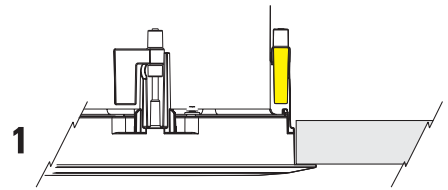
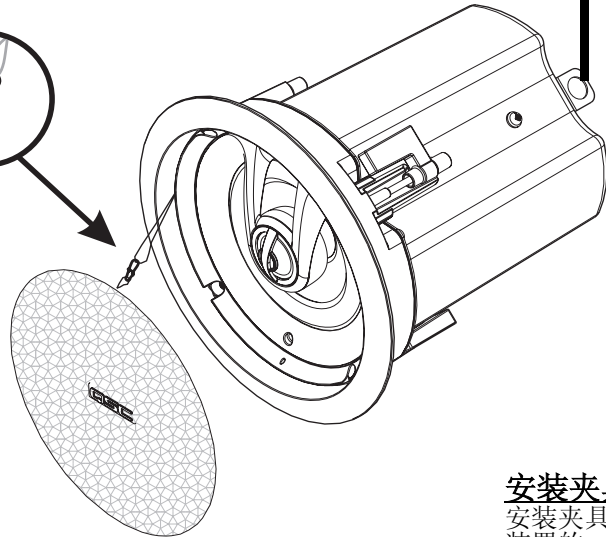


栅格安全夹

机壳和栅格均有一个小塑料绳扣环。栅格的扣环上附有一个夹具。使用栅格夹，将栅格连接在机壳的扣环上。这将有助于防止栅格在拆下时脱落。

使用辅支撑扣!

扩音器可能会产生相当大的振动。除了确保所有金属构件的正确安装外，您还必须在扩音器音箱上使用辅支撑扣以确保扩音器有适当的结构性支撑。这在主安装发生故障时，可将扩音器从天花板坠落的机率降至最低。任何用作辅支撑线的缆绳或金属线必须有足够的强度可以支撑数倍于扩音器的重量。不要在辅支撑系统使用绳索、细绳、麻绳或其他纺织线，因为这些线容易被切断或着火。辅支撑附着点和任何内建的扣件也必须有足够的强度以支撑数倍于扩音器的重量。



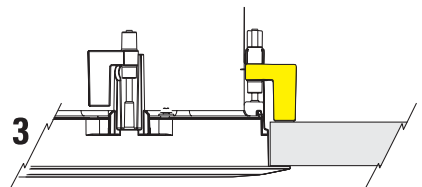
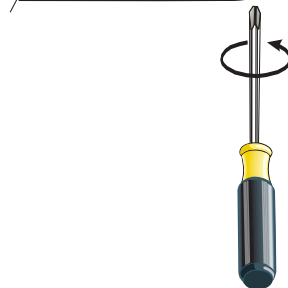
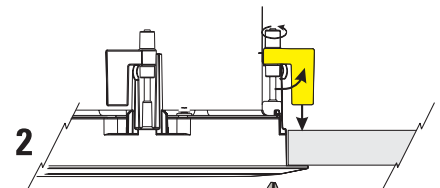
安装夹具

安装夹具是简易使用装置的一部分。在夹具紧固并进行调整之前不要安装栅格。

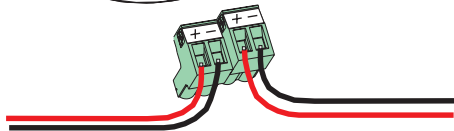
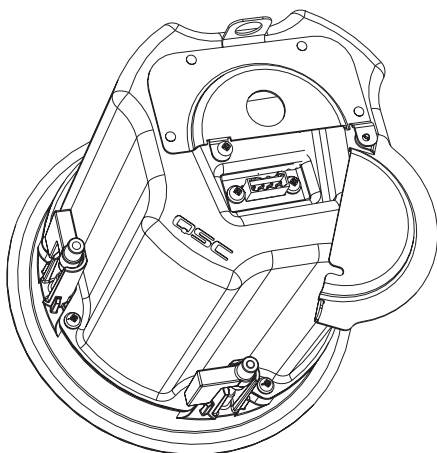
在将机壳插入安装截面之前，请确认夹具对准机壳合拢，见右 1。

机壳置入安装截面后，用 #2 十字螺丝刀紧固每个夹具的螺丝，见右 2。

夹具旋转 90° 然后用螺丝拉紧，见右 3。



CH



连接

将信号线连接到接线盒连接器，注意极性。将另一个扩音器连接到剩下的连接器上。连接器串联，内部连接最大额定功率 400W。

其他建议和重要信息

移除栅格：小心撬动栅格外部四周边缘部分，或插入一个小金属钉或钩，然后在周围均匀拉起，可将栅格移除。

如果操作中听到卡嗒声或嗡嗡声，可能需要在承轨和天花板和（或）t 信道之间放入减振材料。

承轨沿其有效长度有孔可以连接 C 型环支架。这就可沿天花板宽边将截面置于许多位置上。

安装程序

1- 使用内附的 C 型环或提供的尺寸，在天花板表面描出截断面的图型。

2- 挖出安装孔。使用尖利的工具以免压迫安装表面或使安装表面破碎。

3- 将电线从安装孔中拉出。

4- 按说明放置两个吊顶支架槽在安装孔旁。确认部分紧贴天花板的平直支架对准该孔。如果是非吊顶安装，则不需要这些支架。

5- 将 C 型环支架穿入安装孔。首先将截断槽滑入安装孔，然后旋转支架以使它通过安装孔。确认电线穿过环。

6- 放置支架，用提供的螺丝刀将 C 型环支架紧固在每个支架上。如果是非吊顶安装，跳过该步骤。

7- 松开连接盖板的固定螺丝以打开盖板。将合适的非金属护套电缆连接器安装进盖板孔。

8- 临时支撑扩音器音箱，这样，就有足够的空隙使电线穿过扩音器音箱的顶部进行布线和收尾。

9- 找到扩音器内藏的接线盒连接器。完全松开电线固定螺丝。

10- 将电线的端头剥去约 5 mm (0.2") 并将之插入适当的连接器位置。完全紧固电线固定螺丝。

11- 旋转关闭连接盖板，确认不要压迫连接或拉紧电线。紧固盖板的固定螺丝。

12- 如需要，可在进入点调整电线，然后紧固非金属护套电缆连接器上的紧固螺丝。这可防止电线压迫和拉紧从而造成连接 / 连接器发生松动。

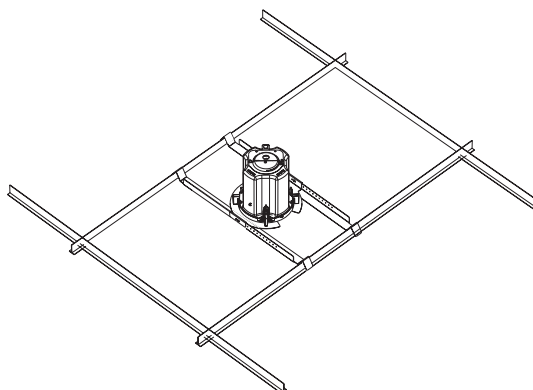
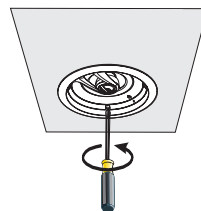
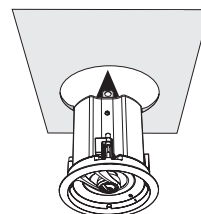
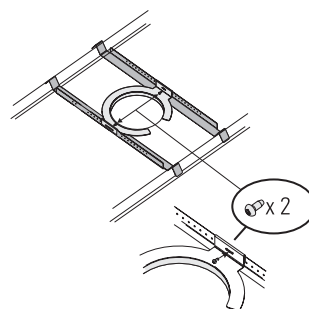
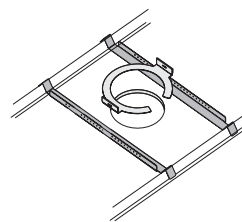
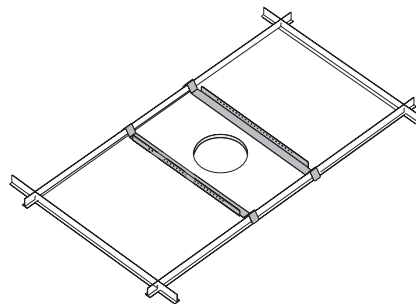
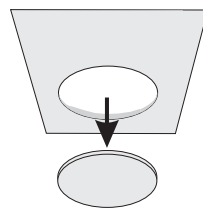
13- 将系在音箱固定扣上的安全缆绳 (辅支撑缆绳) 置于一个适当的支撑点。该缆绳和固定点必须有足够的强度以在主安装系统发生故障时能够支撑数倍于扩音器的重量。

14- 将扩音器音箱置入天花板的截断面，确认所有使用的支架保持在正确位置。紧固扩音器的安装固定螺丝。

15- 将分线选择器开关放到适合的位置。如果是 70V 系统，可能要使用四个位置。在 100V 系统中，不要使用最高的分线设置。在 8 欧姆系统中，将选择器调到 8 欧姆位置。

16- 在安装栅格之前请确认所有测试和调整均已完成。定位扩音器的栅格。机壳和栅格都有一个小塑料绳扣环。使用栅格绳的夹具，连接栅格的安全扣环和机壳的扣环。小心地将栅格放入其固定槽中并紧压到位。缓慢并平稳地放入栅格以免损坏。

规格 - 详见第 6 页说明。



How to Contact QSC Audio Products
Cómo comunicarse con QSC Audio Products
Comment prendre contact avec QSC Audio Products
Kontaktinformationen für QSC Audio Products
联系 QSC Audio Products



Mailing address:

QSC Audio Products, Inc.
1675 MacArthur Boulevard
Costa Mesa, CA 92626-1468 USA



Telephone Numbers:

Main Number (714) 754-6175
Sales & Marketing (714) 957-7100 or toll free (USA only) (800) 854-4079
Customer Service (714) 957-7150 or toll free (USA only) (800) 772-2834



Facsimile Numbers:

Sales & Marketing FAX (714) 754-6174
Customer Service FAX (714) 754-6173



World Wide Web:

www.qscaudio.com

E-mail: info@qscaudio.com
service@qscaudio.com



QSC Audio Products, Inc. 1675 MacArthur Boulevard Costa Mesa, California 92626 USA

©2005, "QSC" and the QSC logo are registered with the U.S. Patent and Trademark Office.