

# ROUND CO-AXIAL METAL CEILING Loudspeakers



➤ **RCS8/TCOAX**

➤ **RCS8/FTSCOAX**

## TECHNICAL SPECIFICATIONS

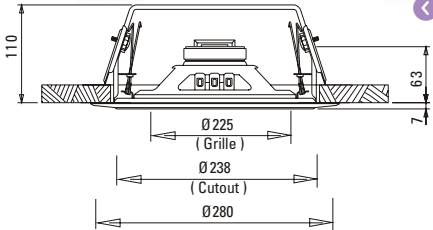
|   |  |
|---|--|
| Rated power, Watts  | 20   |
| Tappings 100 volt line, Watts                               | 20/10/5/2.5                                  |
| Transformer Impedance, Ohms, 100V                           | 0.5k/1k/2k/4k                                |
| Tappings 70.7 volt line, Watts                              | 10/5/2.5/1.25                                |
| Driver impedance, Ohms                                      | 8  |
| Effective frequency range, Hz (BSEN60268-5)                 | RCS8/TCOAX: 60-20KHz RCS8/FTSCOAX: 100-20KHz |
| S.P.L. @ 1m, 1 watt, dB, Test Signal Bandwidth 100Hz-10 kHz | RCS8/TCOAX: 91 RCS8/FTSCOAX: 94              |
| S.P.L. @ Full power Octave Bandwidth, dB                    | RCS8/TCOAX: 104 RCS8/FTSCOAX: 107            |
| Acoustic Power (dB-PWL@1 watt) 1k/2kHz, dB                  | RCS8/TCOAX: 87/89 RCS8/FTSCOAX: 88/89        |
| Dispersion at 1k/2k Hz, Degrees                             | RCS8/TCOAX: 180/100 RCS8/FTSCOAX: 180/80     |
| Directivity Axial Q factor, 1k/2k Hz                        | RCS8/TCOAX: 3.0 /6.5 RCS8/FTSCOAX: 5.5/8.6   |
| Dimensions, diameter, mm                                    | Ø280   |
| Net weight, Kgs   | RCS8/TCOAX: 1.85 RCS8/FTSCOAX: 2.93          |
| Colour/Finish   | White RAL9016                                |
| Material  | Steel  |
| Mounting  | Torsion springs                              |
| Cut-out, mm   | RCS8/TCOAX: Ø238 RCS8/FTSCOAX: Ø246          |

➤ RCS8/FTSCOAX is BS5839 Part 8 voice alarm compliant

EASE, CATT, ULYSSES and Architectural specifications are supplied on the disc inserted at the back of this folder  
 Manufacturer reserves the right to alter specifications without notice – March 2007

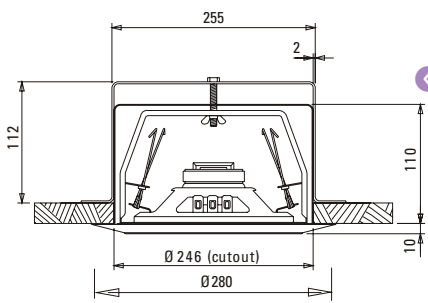
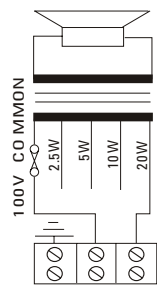
# RCS8/TCOAX    RCS8/FTSCOAX

## ROUND METAL CEILING LOUDSPEAKERS



◀ **RCS8/TCOAX**  
side view  
unit: mm

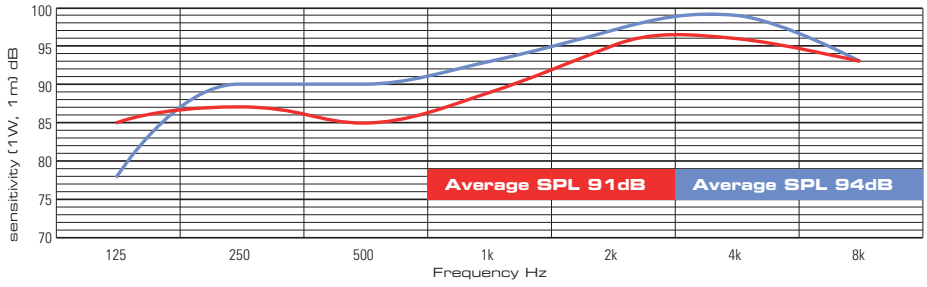
▶ circuit diagram  
**RCS8/FTSCOAX**



◀ **RCS8/FTSCOAX**  
side view  
unit: mm



### speech octave band sensitivity



Effective Frequency Range

- ▶ **RCS8/TCOAX** 60Hz - 20KHz
- ▶ **RCS8/FTSCOAX** 100Hz - 20KHz



**Penton UK Ltd**

Unit 2 Teville Industrials | Dominion Way | Worthing | West Sussex | BN14 8NW  
**T: +44 (0)1903 215315 | F: +44(0)1903 215415 | E: SALES@PENTONUK.CO.UK**

[www.pentonuk.co.uk](http://www.pentonuk.co.uk)