

CC-7 Technical Datasheet

Overview

- 7" touch panel for Custom Control
- PoE or DC 12V powered
- Gigabit Ethernet port
- USB-A port for Custom Control updates
- VESA 75x75 mounting
- Desktop stand (CC-STN) available
- Wall/glass mount bracket (CC-BRK) available



A&E Specifications

The touch panel shall be pre-configured to run the Allen & Heath Custom Control app in kiosk mode and prevent unauthorised user access to system settings. It shall be capable of controlling an Allen & Heath AHM, Avantis and dLive mixing system.

The touch panel shall have a minimum resolution of 1024x600 and minimum brightness of 240 cd/m².

An RJ46 Gigabit Ethernet port shall be provided for connection to the control network.

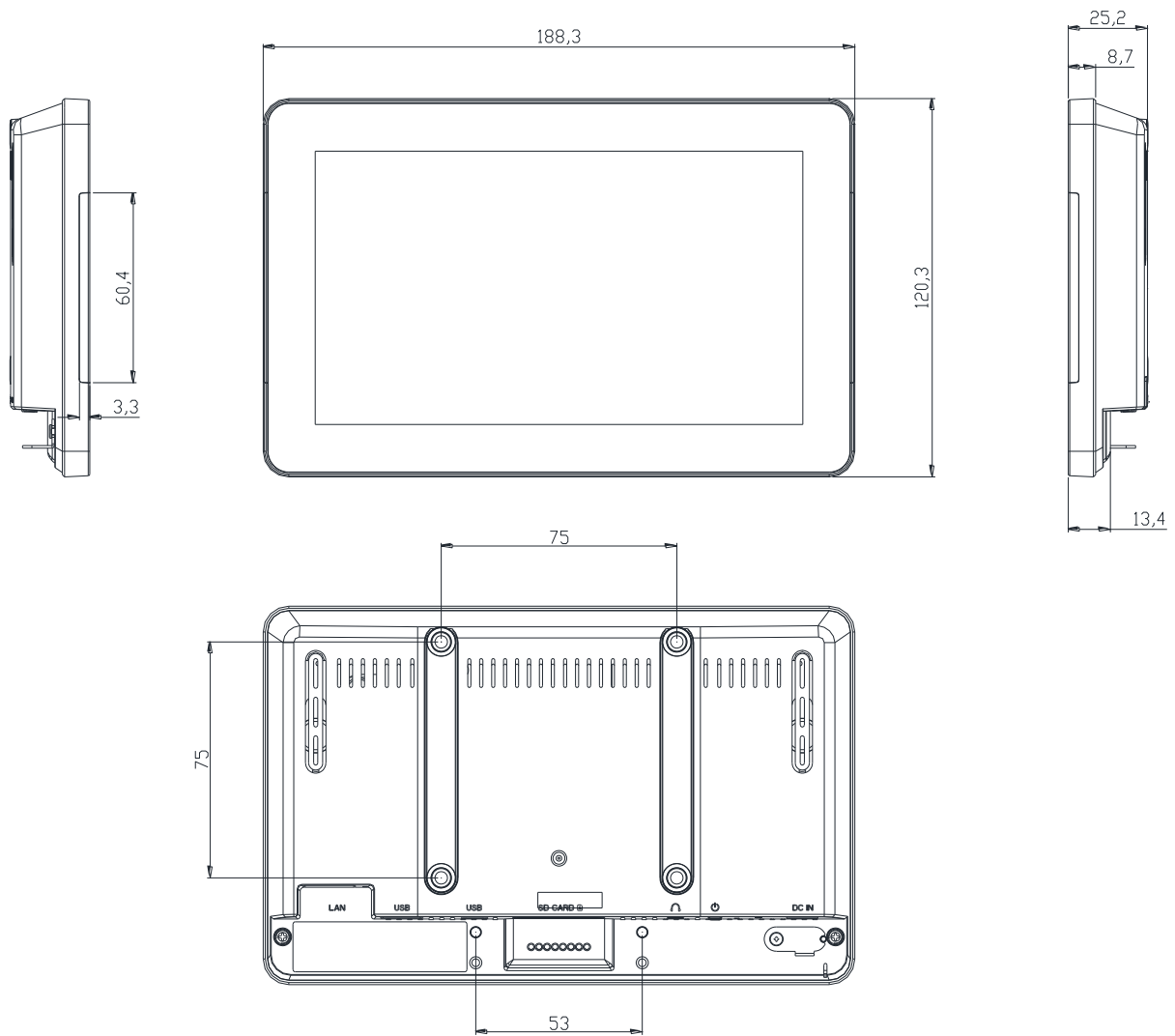
Industry standard VESA 75x75 mounting points shall be provided for installation.

The touch panel shall be powered via Power over Ethernet (PoE) or via an external 12V DC power supply.

Recommended operating temperature for the touch panel shall be 0 to 40 degrees Celsius.

The touch panel shall be the Allen & Heath CC-7.

Dimensions



System Specification

Power and Temperature

DC Input	+12V DC 2A
Operating Temperature Range	0°C to 40°C (32°F to 104°F)
PoE Requirements	802.3af 15W

Screen

Resolution	Capacitive, 10 point touch projected
Brightness	1024x600
Viewing Angle	240 cd/m ²
Contrast Ratio	H 140° / V 130°
Aspect Ratio	600:1
	17:10